

Digital indicator type 800

Pressure range

0 ... 800 bar

Indicator in mbar / bar



Type 800 digital indicators are equipped with a 4 digit display, as well as optional switch and analogue outputs. The sensor signal is evaluated and indicated as pressure by the digital display. The programming of the limit value output can be executed with the buttons on the front or via a data cable from a computer.

- Ease of use
- All adjustments are possible from the front of unit
- Limit value switching points pre-adjustable without application of pressure
- Transmitter power supply from indicating device saves cabling
- Electrically isolated signal transmission direct to measurement value acquisition system or to PLC controllers

Technical overview

Pressure range ¹⁾

0 ... 800 bar

Temperature

Temperature coefficient	Zero drift	typ. 30 ppM/°C
Ambient temperature	Amplification drift	typ. 25 ppM/°C
Max. air humidity		-5 ... +45 °C 95% non condensing

Electrical overview

Output ²⁾	Max. signal current cable length	Max. load current	Relay contacts
0 ... 20 mA			
4 ... 20 mA	2000 m, 2 wire	500 Ohm (Δ 10 V / 20 mA)	Loading 1 A / 230 VAC at ohmic load
0 ... 10 VDC			
Power supply	20 ... 253 VAC or VDC		50/60 Hz
Transmitter supply 2 wire			24 VDC, max. 25 mA
Input ³⁾			0 ... 10 VDC
			0 ... 5 VDC
			0 ... 20 mA
			4 ... 20 mA
Power consumption			4 ... 7.0 W at 230 VAC

Accuracy

At 23 °C ambient temperature	± 0.1 %
Repeatability	± 0.1 %
Long term stability (after 3 months)	± 0.1 %
Hysteresis (Factory-sides)	± 5 parts

Type of connection

Screw terminal	3 + 8 pole	for 800.8
	3 + 6 + 8 pole	for 800.7

Indicator

LED red	4 digits	mbar / bar	character height 14.2 mm	Range -1999 ... 9999
---------	----------	------------	--------------------------	----------------------

Limit values

Adjustment of limit values

Limit value indicating

Indicating of limit value status

Both limit values adjustable within the whole range.	with buttons on the front	with buttons on the front	Each with a red LED
--	---------------------------	---------------------------	---------------------

Protection class

without protection cover	IP 40
with protection cover	IP 54

Fastening

with 2 quick connect couplings

Weight

~ 200 g

¹⁾ Special pressure ranges on request

²⁾ Special outputs on request

³⁾ Special inputs on request

Order code selection table

800. X X X X X X X

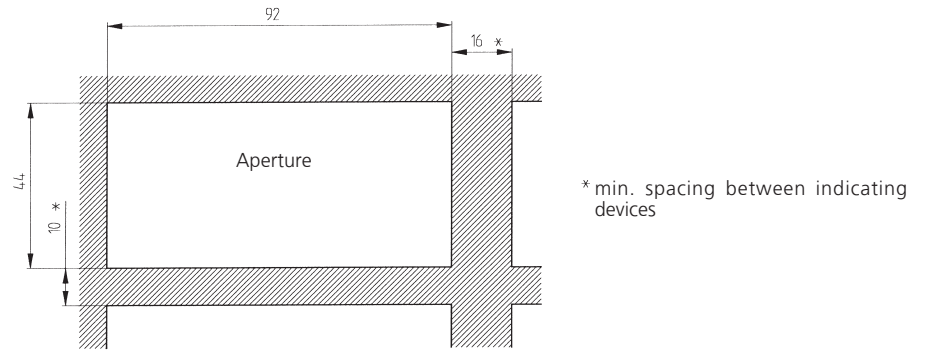
Type	Without limit value switch	8						
	With 2 limit value switches	7						
Pressure range	0 ... 0.5 mbar		0	0				
	*0 ... 1 mbar		0	1				
	*0 ... 1.6 mbar		0	2				
	0 ... 2 mbar		0	3				
	*0 ... 2.5 mbar		0	4				
	0 ... 3 mbar		0	5				
	0 ... 3.2 mbar		0	6				
	*0 ... 4 mbar		0	7				
	0 ... 5 mbar		0	8				
	*0 ... 6 mbar		0	9				
	0 ... 8 mbar		1	0				
	*0 ... 10 mbar		1	1				
	*0 ... 16 mbar		1	2				
	0 ... 20 mbar		1	3				
	*0 ... 25 mbar		1	4				
	0 ... 30 mbar		1	5				
	0 ... 32 mbar		1	6				
	*0 ... 40 mbar		1	7				
	0 ... 50 mbar		1	8				
	*0 ... 60 mbar		1	9				
	0 ... 80 mbar		2	0				
	*0 ... 100 mbar		2	1				
	*0 ... 160 mbar		2	2				
	0 ... 200 mbar		2	3				
	*0 ... 250 mbar		2	4				
	0 ... 300 mbar		2	5				
	0 ... 320 mbar		2	6				
	*0 ... 400 mbar		2	7				
	0 ... 500 mbar		2	8				
	*0 ... 600 mbar		2	9				
	0 ... 800 mbar		3	0				
	*0 ... 1 bar		3	1				
	*0 ... 1.6 bar		3	2				
	0 ... 2 bar		3	3				
	*0 ... 2.5 bar		3	4				
	0 ... 3 bar		3	5				
	0 ... 3.2 bar		3	6				
	*0 ... 4 bar		3	7				
	0 ... 5 bar		3	8				
	*0 ... 6 bar		3	9				
	0 ... 8 bar		4	0				
	*0 ... 10 bar		4	1				
	*0 ... 16 bar		4	2				
	0 ... 20 bar		4	3				
	*0 ... 25 bar		4	4				
	0 ... 30 bar		4	5				
	0 ... 32 bar		4	6				
*0 ... 40 bar		4	7					
0 ... 50 bar		4	8					
*0 ... 60 bar		4	9					
0 ... 80 bar		5	0					
*0 ... 100 bar		5	1					
*0 ... 160 bar		5	2					
0 ... 200 bar		5	3					
*0 ... 250 bar		5	4					
0 ... 300 bar		5	5					
0 ... 320 bar		5	6					
*0 ... 400 bar		5	7					
0 ... 500 bar		5	8					
*0 ... 600 bar		5	9					
0 ... 800 bar		6	0					
Power supply	20 ... 253 VAC or VDC				0			
Input	0 ... 10 VDC					0		
	0 ... 5 VDC					1		
	0 ... 20 mA					2		
	4 ... 20 mA					3		
Output	0 ... 20 mA						0	
	4 ... 20 mA						1	
	0 ... 10 VDC						2	
Version							N	

Accessories ²⁾

	Order number
Protection cover	800.100
Data cable	800.200

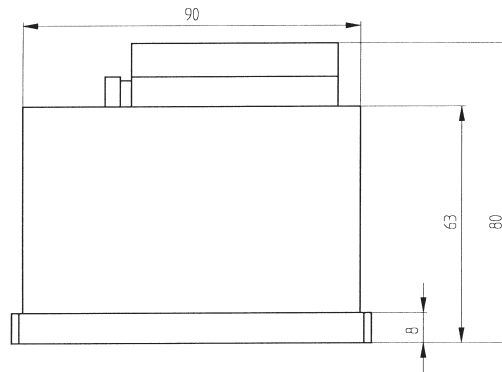
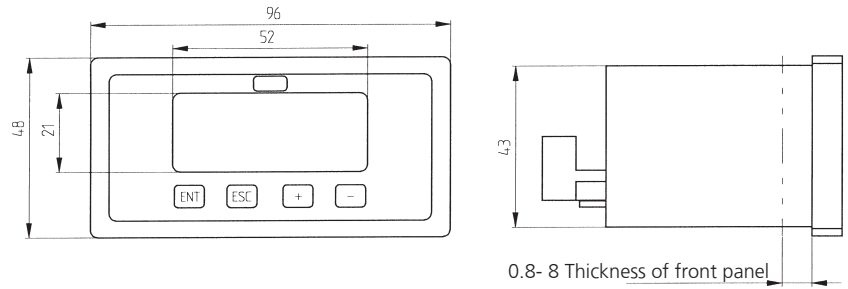
¹⁾ Pressure range acc. to DIN 16128

²⁾ Accessories supplied loose



Lug marking:

- 1 = Auxiliary power: AC ~/DC (+)
- 2 = Auxiliary power: AC ~/DC (-)
- 3 = Auxiliary power: PE
- 4 = Output signal (+)
- 5 = Output signal (-)
- 6 = Output signal PE
- 7 = Free
- 8 = Two-wire sensor power supply +24V
- 9 = Input signal (-)
- 10 = Input signal voltage (+)
- 11 = Input signal current (+)
- 12 = Limit value 1, NO contact
- 13 = Limit value 1, Change-over contact
- 14 = Limit value 1, NC contact
- 15 = Limit value 2, NO contact
- 16 = Limit value 2, Change-over contact
- 17 = Limit value 2, NC contact



Huba Control AG
Headquarters

Industriestrasse 17
5436 Würenlos
Telefon +41 (0) 56 436 82 00
Telefax +41 (0) 56 436 82 82
info.ch@hubacontrol.com

Huba Control AG
Niederlassung Deutschland

Schlattgrabenstrasse 24
72141 Walddorfhäslach
Telefon +49 (0) 7127 23 93 00
Telefax +49 (0) 7127 23 93 20
info.de@hubacontrol.com

Huba Control SA
Succursale France

Rue Lavoisier
Technopôle Forbach-Sud
57602 Forbach Cedex
Téléphone +33 (0) 387 847 300
Télécopieur +33 (0) 387 847 301
info.fr@hubacontrol.com

Huba Control AG
Vestiging Nederland

Hamseweg 20A
3828 AD Hoogland
Telefoon +31 (0) 33 433 03 66
Telefax +31 (0) 33 433 03 77
info.nl@hubacontrol.com

Huba Control AG
Branch Office United Kingdom

Unit 13 Berkshire House
County Park Business Centre
Shrivenham Road
Swindon Wiltshire SN1 2NR
Phone +44 (0) 1993 776667
Fax +44 (0) 1993 776671
info.uk@hubacontrol.com