



# 125W Dual Output Switching Power Supply

# RID-125 series



### Features :

- Isolated output & GND for CH1,CH2
- AC input range selectable by switch
- Withstand 300VAC surge input for 5 seconds
- Protections: Short circuit / Overload / Over voltage
- All using 105°C long life electrolytic capacitors
- Withstand 5G vibration test
- LED indicator for power on
- 100% full load burn-in test
- High reliability
- 3 years warranty



### SPECIFICATION

| MODEL                                | RID-125-1224                                                                                                                                                                                                                                                                                                                                                                                                                                                                                                                                                                                                                                                                                                                                                                                                                                                                                                                                                                                                                                                                                                                                                                                                                                                                                                                                                                           |                                                                                                                         | RID-125-1248 |                   | RID-125-2448 |                                                                                                             |            |
|--------------------------------------|----------------------------------------------------------------------------------------------------------------------------------------------------------------------------------------------------------------------------------------------------------------------------------------------------------------------------------------------------------------------------------------------------------------------------------------------------------------------------------------------------------------------------------------------------------------------------------------------------------------------------------------------------------------------------------------------------------------------------------------------------------------------------------------------------------------------------------------------------------------------------------------------------------------------------------------------------------------------------------------------------------------------------------------------------------------------------------------------------------------------------------------------------------------------------------------------------------------------------------------------------------------------------------------------------------------------------------------------------------------------------------------|-------------------------------------------------------------------------------------------------------------------------|--------------|-------------------|--------------|-------------------------------------------------------------------------------------------------------------|------------|
| OUTPUT                               | OUTPUT NUMBER                                                                                                                                                                                                                                                                                                                                                                                                                                                                                                                                                                                                                                                                                                                                                                                                                                                                                                                                                                                                                                                                                                                                                                                                                                                                                                                                                                          | CH1                                                                                                                     | CH2          | CH1               | CH2          | CH1                                                                                                         | CH2        |
|                                      | DC VOLTAGE                                                                                                                                                                                                                                                                                                                                                                                                                                                                                                                                                                                                                                                                                                                                                                                                                                                                                                                                                                                                                                                                                                                                                                                                                                                                                                                                                                             | 12V                                                                                                                     | 24V          | 12V               | 48V          | 24V                                                                                                         | 48V        |
|                                      | RATED CURRENT                                                                                                                                                                                                                                                                                                                                                                                                                                                                                                                                                                                                                                                                                                                                                                                                                                                                                                                                                                                                                                                                                                                                                                                                                                                                                                                                                                          | 3.7A                                                                                                                    | 3.7A         | 2.3A              | 2.3A         | 2A                                                                                                          | 2A         |
|                                      | CURRENT RANGE <small>Note.6</small>                                                                                                                                                                                                                                                                                                                                                                                                                                                                                                                                                                                                                                                                                                                                                                                                                                                                                                                                                                                                                                                                                                                                                                                                                                                                                                                                                    | 1 ~ 7A                                                                                                                  | 0.4 ~ 5A     | 1 ~ 7A            | 0.2 ~ 2.5A   | 0.5 ~ 4A                                                                                                    | 0.2 ~ 2.5A |
|                                      | RATED POWER <small>Note.6</small>                                                                                                                                                                                                                                                                                                                                                                                                                                                                                                                                                                                                                                                                                                                                                                                                                                                                                                                                                                                                                                                                                                                                                                                                                                                                                                                                                      | 133.2W                                                                                                                  |              | 138W              |              | 144W                                                                                                        |            |
|                                      | RIPPLE & NOISE (max.) <small>Note.2</small>                                                                                                                                                                                                                                                                                                                                                                                                                                                                                                                                                                                                                                                                                                                                                                                                                                                                                                                                                                                                                                                                                                                                                                                                                                                                                                                                            | 120mVp-p                                                                                                                |              | 120mVp-p          |              | 240mVp-p                                                                                                    |            |
|                                      | VOLTAGE ADJ. RANGE                                                                                                                                                                                                                                                                                                                                                                                                                                                                                                                                                                                                                                                                                                                                                                                                                                                                                                                                                                                                                                                                                                                                                                                                                                                                                                                                                                     | CH1: 11.4 ~ 13.2V                                                                                                       |              | CH1: 11.4 ~ 13.2V |              | CH1: 22.8 ~ 26.4V                                                                                           |            |
|                                      | VOLTAGE TOLERANCE <small>Note.3</small>                                                                                                                                                                                                                                                                                                                                                                                                                                                                                                                                                                                                                                                                                                                                                                                                                                                                                                                                                                                                                                                                                                                                                                                                                                                                                                                                                | ±2.0%                                                                                                                   | +8,-5%       | ±2.0%             | +8,-5%       | ±1.0%                                                                                                       | ±4.0%      |
|                                      | LINE REGULATION <small>Note.4</small>                                                                                                                                                                                                                                                                                                                                                                                                                                                                                                                                                                                                                                                                                                                                                                                                                                                                                                                                                                                                                                                                                                                                                                                                                                                                                                                                                  | ±0.5%                                                                                                                   | ±1.0%        | ±0.5%             | ±1.0%        | ±0.5%                                                                                                       | ±1.0%      |
|                                      | LOAD REGULATION <small>Note.5</small>                                                                                                                                                                                                                                                                                                                                                                                                                                                                                                                                                                                                                                                                                                                                                                                                                                                                                                                                                                                                                                                                                                                                                                                                                                                                                                                                                  | ±1.0%                                                                                                                   | ±5.0%        | ±1.0%             | ±5.0%        | ±1.0%                                                                                                       | ±3.0%      |
| SETUP, RISE TIME                     | 500ms, 20ms/230VAC    1200ms, 30ms/115VAC at full load                                                                                                                                                                                                                                                                                                                                                                                                                                                                                                                                                                                                                                                                                                                                                                                                                                                                                                                                                                                                                                                                                                                                                                                                                                                                                                                                 |                                                                                                                         |              |                   |              |                                                                                                             |            |
| HOLD UP TIME (Typ.)                  | 36ms/230VAC    30ms/115VAC at full load                                                                                                                                                                                                                                                                                                                                                                                                                                                                                                                                                                                                                                                                                                                                                                                                                                                                                                                                                                                                                                                                                                                                                                                                                                                                                                                                                |                                                                                                                         |              |                   |              |                                                                                                             |            |
| INPUT                                | VOLTAGE RANGE                                                                                                                                                                                                                                                                                                                                                                                                                                                                                                                                                                                                                                                                                                                                                                                                                                                                                                                                                                                                                                                                                                                                                                                                                                                                                                                                                                          | 88 ~ 132VAC / 176 ~ 264VAC selected by switch                                                                           |              |                   |              | 248 ~ 373VDC(300VAC peak 5sec. No damage)                                                                   |            |
|                                      | FREQUENCY RANGE                                                                                                                                                                                                                                                                                                                                                                                                                                                                                                                                                                                                                                                                                                                                                                                                                                                                                                                                                                                                                                                                                                                                                                                                                                                                                                                                                                        | 47 ~ 63Hz                                                                                                               |              |                   |              |                                                                                                             |            |
|                                      | EFFICIENCY(Typ.)                                                                                                                                                                                                                                                                                                                                                                                                                                                                                                                                                                                                                                                                                                                                                                                                                                                                                                                                                                                                                                                                                                                                                                                                                                                                                                                                                                       | 85%                                                                                                                     |              | 85%               |              | 86%                                                                                                         |            |
|                                      | AC CURRENT (Typ.)                                                                                                                                                                                                                                                                                                                                                                                                                                                                                                                                                                                                                                                                                                                                                                                                                                                                                                                                                                                                                                                                                                                                                                                                                                                                                                                                                                      | 3A/115VAC    2A/230VAC                                                                                                  |              |                   |              |                                                                                                             |            |
|                                      | INRUSH CURRENT (Typ.)                                                                                                                                                                                                                                                                                                                                                                                                                                                                                                                                                                                                                                                                                                                                                                                                                                                                                                                                                                                                                                                                                                                                                                                                                                                                                                                                                                  | COLD START 40A/230VAC                                                                                                   |              |                   |              |                                                                                                             |            |
| LEAKAGE CURRENT                      | <2mA / 240VAC                                                                                                                                                                                                                                                                                                                                                                                                                                                                                                                                                                                                                                                                                                                                                                                                                                                                                                                                                                                                                                                                                                                                                                                                                                                                                                                                                                          |                                                                                                                         |              |                   |              |                                                                                                             |            |
| PROTECTION                           | OVERLOAD                                                                                                                                                                                                                                                                                                                                                                                                                                                                                                                                                                                                                                                                                                                                                                                                                                                                                                                                                                                                                                                                                                                                                                                                                                                                                                                                                                               | 110 ~ 150% rated output power<br>Protection type : Hiccup mode, recovers automatically after fault condition is removed |              |                   |              |                                                                                                             |            |
|                                      | OVER VOLTAGE                                                                                                                                                                                                                                                                                                                                                                                                                                                                                                                                                                                                                                                                                                                                                                                                                                                                                                                                                                                                                                                                                                                                                                                                                                                                                                                                                                           | CH1: 13.8 ~ 16.2V                                                                                                       |              | CH1: 13.8 ~ 16.2V |              | CH1: 27.6 ~ 32.4V<br>Protection type : Hiccup mode, recovers automatically after fault condition is removed |            |
| ENVIRONMENT                          | WORKING TEMP.                                                                                                                                                                                                                                                                                                                                                                                                                                                                                                                                                                                                                                                                                                                                                                                                                                                                                                                                                                                                                                                                                                                                                                                                                                                                                                                                                                          | -20 ~ +70°C (Refer to "Derating Curve")                                                                                 |              |                   |              |                                                                                                             |            |
|                                      | WORKING HUMIDITY                                                                                                                                                                                                                                                                                                                                                                                                                                                                                                                                                                                                                                                                                                                                                                                                                                                                                                                                                                                                                                                                                                                                                                                                                                                                                                                                                                       | 20 ~ 90% RH non-condensing                                                                                              |              |                   |              |                                                                                                             |            |
|                                      | STORAGE TEMP., HUMIDITY                                                                                                                                                                                                                                                                                                                                                                                                                                                                                                                                                                                                                                                                                                                                                                                                                                                                                                                                                                                                                                                                                                                                                                                                                                                                                                                                                                | -40 ~ +85°C, 10 ~ 95% RH                                                                                                |              |                   |              |                                                                                                             |            |
|                                      | TEMP. COEFFICIENT                                                                                                                                                                                                                                                                                                                                                                                                                                                                                                                                                                                                                                                                                                                                                                                                                                                                                                                                                                                                                                                                                                                                                                                                                                                                                                                                                                      | ±0.03%/°C (0 ~ 50°C) on CH1 output                                                                                      |              |                   |              |                                                                                                             |            |
| VIBRATION                            | 10 ~ 500Hz, 5G 10min./1cycle, period for 60min. each along X, Y, Z axes                                                                                                                                                                                                                                                                                                                                                                                                                                                                                                                                                                                                                                                                                                                                                                                                                                                                                                                                                                                                                                                                                                                                                                                                                                                                                                                |                                                                                                                         |              |                   |              |                                                                                                             |            |
| SAFETY & EMC <small>(Note 7)</small> | SAFETY STANDARDS                                                                                                                                                                                                                                                                                                                                                                                                                                                                                                                                                                                                                                                                                                                                                                                                                                                                                                                                                                                                                                                                                                                                                                                                                                                                                                                                                                       | UL60950-1, TUV EN60950-1 approved                                                                                       |              |                   |              |                                                                                                             |            |
|                                      | WITHSTAND VOLTAGE                                                                                                                                                                                                                                                                                                                                                                                                                                                                                                                                                                                                                                                                                                                                                                                                                                                                                                                                                                                                                                                                                                                                                                                                                                                                                                                                                                      | I/P-O/P:3KVAC    I/P-FG:2KVAC    O/P-FG:0.5KVAC                                                                         |              |                   |              |                                                                                                             |            |
|                                      | ISOLATION RESISTANCE                                                                                                                                                                                                                                                                                                                                                                                                                                                                                                                                                                                                                                                                                                                                                                                                                                                                                                                                                                                                                                                                                                                                                                                                                                                                                                                                                                   | I/P-O/P, I/P-FG, O/P-FG:100M Ohms / 500VDC / 25°C / 70% RH                                                              |              |                   |              |                                                                                                             |            |
|                                      | EMC EMISSION                                                                                                                                                                                                                                                                                                                                                                                                                                                                                                                                                                                                                                                                                                                                                                                                                                                                                                                                                                                                                                                                                                                                                                                                                                                                                                                                                                           | Compliance to EN55022 (CISPR22) Class B, EN61000-3-2,-3                                                                 |              |                   |              |                                                                                                             |            |
| EMC IMMUNITY                         | Compliance to EN61000-4-2,3,4,5,6,8,11, EN61000-6-2 (EN50082-2), heavy industry level, criteria A                                                                                                                                                                                                                                                                                                                                                                                                                                                                                                                                                                                                                                                                                                                                                                                                                                                                                                                                                                                                                                                                                                                                                                                                                                                                                      |                                                                                                                         |              |                   |              |                                                                                                             |            |
| OTHERS                               | MTBF                                                                                                                                                                                                                                                                                                                                                                                                                                                                                                                                                                                                                                                                                                                                                                                                                                                                                                                                                                                                                                                                                                                                                                                                                                                                                                                                                                                   | 218.2Khrs min.    MIL-HDBK-217F (25°C)                                                                                  |              |                   |              |                                                                                                             |            |
|                                      | DIMENSION                                                                                                                                                                                                                                                                                                                                                                                                                                                                                                                                                                                                                                                                                                                                                                                                                                                                                                                                                                                                                                                                                                                                                                                                                                                                                                                                                                              | 199*98*38mm (L*W*H)                                                                                                     |              |                   |              |                                                                                                             |            |
|                                      | PACKING                                                                                                                                                                                                                                                                                                                                                                                                                                                                                                                                                                                                                                                                                                                                                                                                                                                                                                                                                                                                                                                                                                                                                                                                                                                                                                                                                                                | 0.7Kg; 20pcs/15Kg/0.8CUFT                                                                                               |              |                   |              |                                                                                                             |            |
| NOTE                                 | <ol style="list-style-type: none"> <li>1. All parameters NOT specially mentioned are measured at 230VAC input, rated load and 25°C of ambient temperature.</li> <li>2. Ripple &amp; noise are measured at 20MHz of bandwidth by using a 12" twisted pair-wire terminated with a 0.1uf &amp; 47uf parallel capacitor.</li> <li>3. Tolerance : includes set up tolerance, line regulation and load regulation.</li> <li>4. Line regulation is measured from low line to high line at rated load.</li> <li>5. Load regulation is measured from 20% to 100% rated load, and other output at 60% rated load.</li> <li>6. Each output can work within current range. But total output power can't exceed rated output power.</li> <li>7. The power supply is considered a component which will be installed into a final equipment. All the EMC tests are been executed by mounting the unit on a 360mm*360mm metal plate with 1mm of thickness. The final equipment must be re-confirmed that it still meets EMC directives. For guidance on how to perform these EMC tests, please refer to "EMI testing of component power supplies." (as available on <a href="http://www.meanwell.com">http://www.meanwell.com</a>)</li> <li>8. Length of set up time is measured at cold first start. Turning ON/OFF the power supply very quickly may lead to increase of the set up time.</li> </ol> |                                                                                                                         |              |                   |              |                                                                                                             |            |



# 125W Dual Output Switching Power Supply

# RID-125 series



### ■ Features :

- Isolated output & GND for CH1,CH2
- AC input range selectable by switch
- Withstand 300VAC surge input for 5 seconds
- Protections: Short circuit / Overload / Over voltage
- 170% peak load for CH1
- All using 105°C long life electrolytic capacitors
- Withstand 5G vibration test
- LED indicator for power on
- 100% full load burn-in test
- High reliability
- 3 years warranty

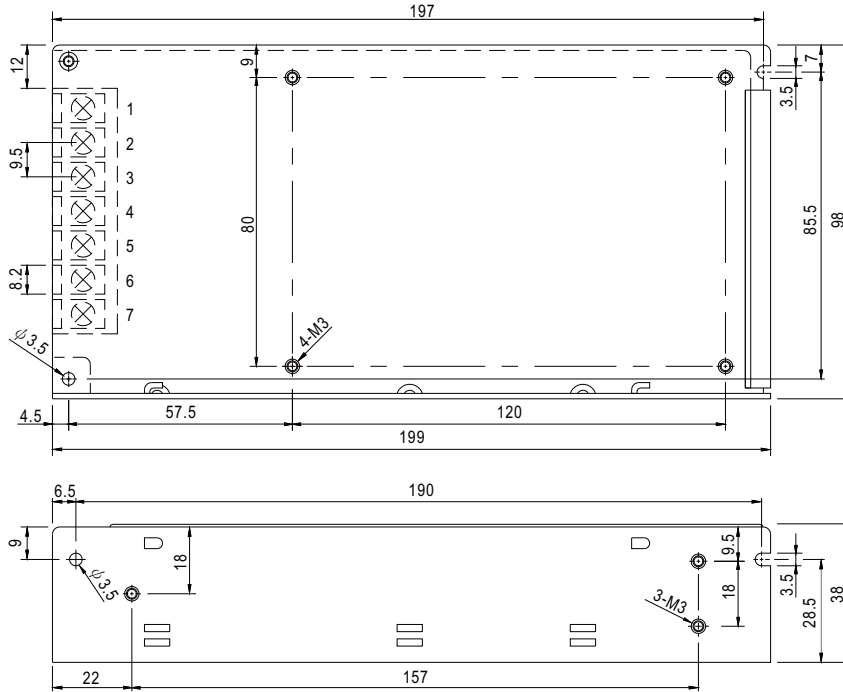


### SPECIFICATION

| MODEL                                |                                                                                                                                                                                                                                                                                                                                                                                                                                                                                                                                                                                                                                                                                                                                                                                                                                                                                                                                                                                                                                                                                                                                                                                                                                                                                                                                                                                                                                                                                                        | RID-125-1205                                                                                                       |        | RID-125-2405                                                                                                |         |
|--------------------------------------|--------------------------------------------------------------------------------------------------------------------------------------------------------------------------------------------------------------------------------------------------------------------------------------------------------------------------------------------------------------------------------------------------------------------------------------------------------------------------------------------------------------------------------------------------------------------------------------------------------------------------------------------------------------------------------------------------------------------------------------------------------------------------------------------------------------------------------------------------------------------------------------------------------------------------------------------------------------------------------------------------------------------------------------------------------------------------------------------------------------------------------------------------------------------------------------------------------------------------------------------------------------------------------------------------------------------------------------------------------------------------------------------------------------------------------------------------------------------------------------------------------|--------------------------------------------------------------------------------------------------------------------|--------|-------------------------------------------------------------------------------------------------------------|---------|
| OUTPUT                               | OUTPUT NUMBER                                                                                                                                                                                                                                                                                                                                                                                                                                                                                                                                                                                                                                                                                                                                                                                                                                                                                                                                                                                                                                                                                                                                                                                                                                                                                                                                                                                                                                                                                          | CH1                                                                                                                | CH2    | CH1                                                                                                         | CH2     |
|                                      | DC VOLTAGE                                                                                                                                                                                                                                                                                                                                                                                                                                                                                                                                                                                                                                                                                                                                                                                                                                                                                                                                                                                                                                                                                                                                                                                                                                                                                                                                                                                                                                                                                             | 12V                                                                                                                | 5V     | 24V                                                                                                         | 5V      |
|                                      | RATED CURRENT                                                                                                                                                                                                                                                                                                                                                                                                                                                                                                                                                                                                                                                                                                                                                                                                                                                                                                                                                                                                                                                                                                                                                                                                                                                                                                                                                                                                                                                                                          | 9.2A                                                                                                               | 3A     | 4.6A                                                                                                        | 3A      |
|                                      | CURRENT RANGE <small>Note.6</small>                                                                                                                                                                                                                                                                                                                                                                                                                                                                                                                                                                                                                                                                                                                                                                                                                                                                                                                                                                                                                                                                                                                                                                                                                                                                                                                                                                                                                                                                    | 2 ~ 10.5A                                                                                                          | 0 ~ 3A | 2 ~ 5.3A                                                                                                    | 0 ~ 3A  |
|                                      | PEAK LOAD <small>Note.9</small>                                                                                                                                                                                                                                                                                                                                                                                                                                                                                                                                                                                                                                                                                                                                                                                                                                                                                                                                                                                                                                                                                                                                                                                                                                                                                                                                                                                                                                                                        | 15.6A                                                                                                              | 3A     | 7.8A                                                                                                        | 3A      |
|                                      | RATED POWER                                                                                                                                                                                                                                                                                                                                                                                                                                                                                                                                                                                                                                                                                                                                                                                                                                                                                                                                                                                                                                                                                                                                                                                                                                                                                                                                                                                                                                                                                            | 125.4W                                                                                                             |        | 125.4W                                                                                                      |         |
|                                      | RIPPLE & NOISE (max.) <small>Note.2</small>                                                                                                                                                                                                                                                                                                                                                                                                                                                                                                                                                                                                                                                                                                                                                                                                                                                                                                                                                                                                                                                                                                                                                                                                                                                                                                                                                                                                                                                            | 120mVp-p                                                                                                           |        | 120mVp-p                                                                                                    | 80mVp-p |
|                                      | VOLTAGE ADJ. RANGE                                                                                                                                                                                                                                                                                                                                                                                                                                                                                                                                                                                                                                                                                                                                                                                                                                                                                                                                                                                                                                                                                                                                                                                                                                                                                                                                                                                                                                                                                     | CH1: 11.4 ~ 13.2V                                                                                                  |        | CH1: 22.8 ~ 26.4V                                                                                           |         |
|                                      | VOLTAGE TOLERANCE <small>Note.3</small>                                                                                                                                                                                                                                                                                                                                                                                                                                                                                                                                                                                                                                                                                                                                                                                                                                                                                                                                                                                                                                                                                                                                                                                                                                                                                                                                                                                                                                                                | ±2.0%                                                                                                              | ±3.0%  | ±2.0%                                                                                                       | ±3.0%   |
|                                      | LINE REGULATION <small>Note.4</small>                                                                                                                                                                                                                                                                                                                                                                                                                                                                                                                                                                                                                                                                                                                                                                                                                                                                                                                                                                                                                                                                                                                                                                                                                                                                                                                                                                                                                                                                  | ±0.5%                                                                                                              | ±0.5%  | ±0.5%                                                                                                       | ±0.5%   |
|                                      | LOAD REGULATION <small>Note.5</small>                                                                                                                                                                                                                                                                                                                                                                                                                                                                                                                                                                                                                                                                                                                                                                                                                                                                                                                                                                                                                                                                                                                                                                                                                                                                                                                                                                                                                                                                  | ±1.0%                                                                                                              | ±2.0%  | ±1.0%                                                                                                       | ±2.0%   |
|                                      | SETUP, RISE TIME                                                                                                                                                                                                                                                                                                                                                                                                                                                                                                                                                                                                                                                                                                                                                                                                                                                                                                                                                                                                                                                                                                                                                                                                                                                                                                                                                                                                                                                                                       | 500ms, 20ms/230VAC    1200ms, 30ms/115VAC at full load                                                             |        |                                                                                                             |         |
| HOLD UP TIME (Typ.)                  | 35ms/230VAC    30ms/115VAC at full load                                                                                                                                                                                                                                                                                                                                                                                                                                                                                                                                                                                                                                                                                                                                                                                                                                                                                                                                                                                                                                                                                                                                                                                                                                                                                                                                                                                                                                                                |                                                                                                                    |        |                                                                                                             |         |
| INPUT                                | VOLTAGE RANGE                                                                                                                                                                                                                                                                                                                                                                                                                                                                                                                                                                                                                                                                                                                                                                                                                                                                                                                                                                                                                                                                                                                                                                                                                                                                                                                                                                                                                                                                                          | 88 ~ 132VAC / 176 ~ 264VAC selected by switch    248 ~ 373VDC(300VAC peak 5sec., no damage)                        |        |                                                                                                             |         |
|                                      | FREQUENCY RANGE                                                                                                                                                                                                                                                                                                                                                                                                                                                                                                                                                                                                                                                                                                                                                                                                                                                                                                                                                                                                                                                                                                                                                                                                                                                                                                                                                                                                                                                                                        | 47 ~ 63Hz                                                                                                          |        |                                                                                                             |         |
|                                      | EFFICIENCY(Typ.)                                                                                                                                                                                                                                                                                                                                                                                                                                                                                                                                                                                                                                                                                                                                                                                                                                                                                                                                                                                                                                                                                                                                                                                                                                                                                                                                                                                                                                                                                       | 80%                                                                                                                |        | 83%                                                                                                         |         |
|                                      | AC CURRENT (Typ.)                                                                                                                                                                                                                                                                                                                                                                                                                                                                                                                                                                                                                                                                                                                                                                                                                                                                                                                                                                                                                                                                                                                                                                                                                                                                                                                                                                                                                                                                                      | 3A/115VAC    2A/230VAC                                                                                             |        |                                                                                                             |         |
|                                      | INRUSH CURRENT (Typ.)                                                                                                                                                                                                                                                                                                                                                                                                                                                                                                                                                                                                                                                                                                                                                                                                                                                                                                                                                                                                                                                                                                                                                                                                                                                                                                                                                                                                                                                                                  | COLD START 40A/230VAC                                                                                              |        |                                                                                                             |         |
| LEAKAGE CURRENT                      | <2mA / 240VAC                                                                                                                                                                                                                                                                                                                                                                                                                                                                                                                                                                                                                                                                                                                                                                                                                                                                                                                                                                                                                                                                                                                                                                                                                                                                                                                                                                                                                                                                                          |                                                                                                                    |        |                                                                                                             |         |
| PROTECTION                           | OVERLOAD                                                                                                                                                                                                                                                                                                                                                                                                                                                                                                                                                                                                                                                                                                                                                                                                                                                                                                                                                                                                                                                                                                                                                                                                                                                                                                                                                                                                                                                                                               | >165% rated output power<br>Protection type : Hiccup mode, recovers automatically after fault condition is removed |        |                                                                                                             |         |
|                                      | OVER VOLTAGE                                                                                                                                                                                                                                                                                                                                                                                                                                                                                                                                                                                                                                                                                                                                                                                                                                                                                                                                                                                                                                                                                                                                                                                                                                                                                                                                                                                                                                                                                           | CH1: 13.8 ~ 16.2V                                                                                                  |        | CH1: 27.6 ~ 32.4V<br>Protection type : Hiccup mode, recovers automatically after fault condition is removed |         |
| ENVIRONMENT                          | WORKING TEMP.                                                                                                                                                                                                                                                                                                                                                                                                                                                                                                                                                                                                                                                                                                                                                                                                                                                                                                                                                                                                                                                                                                                                                                                                                                                                                                                                                                                                                                                                                          | -25 ~ +70°C (Refer to "Derating Curve")                                                                            |        |                                                                                                             |         |
|                                      | WORKING HUMIDITY                                                                                                                                                                                                                                                                                                                                                                                                                                                                                                                                                                                                                                                                                                                                                                                                                                                                                                                                                                                                                                                                                                                                                                                                                                                                                                                                                                                                                                                                                       | 20 ~ 90% RH non-condensing                                                                                         |        |                                                                                                             |         |
|                                      | STORAGE TEMP., HUMIDITY                                                                                                                                                                                                                                                                                                                                                                                                                                                                                                                                                                                                                                                                                                                                                                                                                                                                                                                                                                                                                                                                                                                                                                                                                                                                                                                                                                                                                                                                                | -40 ~ +85°C, 10 ~ 95% RH                                                                                           |        |                                                                                                             |         |
|                                      | TEMP. COEFFICIENT                                                                                                                                                                                                                                                                                                                                                                                                                                                                                                                                                                                                                                                                                                                                                                                                                                                                                                                                                                                                                                                                                                                                                                                                                                                                                                                                                                                                                                                                                      | ±0.03%/°C (0 ~ 50°C) on CH1 output                                                                                 |        |                                                                                                             |         |
| VIBRATION                            | 10 ~ 500Hz, 5G 10min./1cycle, period for 60min. each along X, Y, Z axes                                                                                                                                                                                                                                                                                                                                                                                                                                                                                                                                                                                                                                                                                                                                                                                                                                                                                                                                                                                                                                                                                                                                                                                                                                                                                                                                                                                                                                |                                                                                                                    |        |                                                                                                             |         |
| SAFETY & EMC <small>(Note 7)</small> | SAFETY STANDARDS                                                                                                                                                                                                                                                                                                                                                                                                                                                                                                                                                                                                                                                                                                                                                                                                                                                                                                                                                                                                                                                                                                                                                                                                                                                                                                                                                                                                                                                                                       | UL60950-1, TUV EN60950-1 approved                                                                                  |        |                                                                                                             |         |
|                                      | WITHSTAND VOLTAGE                                                                                                                                                                                                                                                                                                                                                                                                                                                                                                                                                                                                                                                                                                                                                                                                                                                                                                                                                                                                                                                                                                                                                                                                                                                                                                                                                                                                                                                                                      | I/P-O/P:3KVAC    I/P-FG:2KVAC    O/P-FG:0.5KVAC                                                                    |        |                                                                                                             |         |
|                                      | ISOLATION RESISTANCE                                                                                                                                                                                                                                                                                                                                                                                                                                                                                                                                                                                                                                                                                                                                                                                                                                                                                                                                                                                                                                                                                                                                                                                                                                                                                                                                                                                                                                                                                   | I/P-O/P, I/P-FG, O/P-FG:100M Ohms / 500VDC / 25°C / 70% RH                                                         |        |                                                                                                             |         |
|                                      | EMC EMISSION                                                                                                                                                                                                                                                                                                                                                                                                                                                                                                                                                                                                                                                                                                                                                                                                                                                                                                                                                                                                                                                                                                                                                                                                                                                                                                                                                                                                                                                                                           | Compliance to EN55022 (CISPR22) Class B, EN61000-3-2,-3                                                            |        |                                                                                                             |         |
|                                      | EMC IMMUNITY                                                                                                                                                                                                                                                                                                                                                                                                                                                                                                                                                                                                                                                                                                                                                                                                                                                                                                                                                                                                                                                                                                                                                                                                                                                                                                                                                                                                                                                                                           | Compliance to EN61000-4-2,3,4,5,6,8,11, EN61000-6-2 (EN50082-2), heavy industry level, criteria A                  |        |                                                                                                             |         |
| OTHERS                               | MTBF                                                                                                                                                                                                                                                                                                                                                                                                                                                                                                                                                                                                                                                                                                                                                                                                                                                                                                                                                                                                                                                                                                                                                                                                                                                                                                                                                                                                                                                                                                   | 218.2Khrs min.    MIL-HDBK-217F (25°C)                                                                             |        |                                                                                                             |         |
|                                      | DIMENSION                                                                                                                                                                                                                                                                                                                                                                                                                                                                                                                                                                                                                                                                                                                                                                                                                                                                                                                                                                                                                                                                                                                                                                                                                                                                                                                                                                                                                                                                                              | 199*98*38mm (L*W*H)                                                                                                |        |                                                                                                             |         |
|                                      | PACKING                                                                                                                                                                                                                                                                                                                                                                                                                                                                                                                                                                                                                                                                                                                                                                                                                                                                                                                                                                                                                                                                                                                                                                                                                                                                                                                                                                                                                                                                                                | 0.7Kg; 20pcs/15Kg/0.8CUFT                                                                                          |        |                                                                                                             |         |
| NOTE                                 | <ol style="list-style-type: none"> <li>1. All parameters NOT specially mentioned are measured at 230VAC input, rated load and 25°C of ambient temperature.</li> <li>2. Ripple &amp; noise are measured at 20MHz of bandwidth by using a 12" twisted pair-wire terminated with a 0.1uF &amp; 47uF parallel capacitor.</li> <li>3. Tolerance : includes set up tolerance, line regulation and load regulation.</li> <li>4. Line regulation is measured from low line to high line at rated load.</li> <li>5. Load regulation is measured from 20% to 100% rated load, and other output at 60% rated load.</li> <li>6. Each output can work within current range. But total output power can't exceed rated output power.</li> <li>7. The power supply is considered a component which will be installed into a final equipment. All the EMC tests are been executed by mounting the unit on a 360mm*360mm metal plate with 1mm of thickness. The final equipment must be re-confirmed that it still meets EMC directives. For guidance on how to perform these EMC tests, please refer to "EMI testing of component power supplies." (as available on <a href="http://www.meanwell.com">http://www.meanwell.com</a>)</li> <li>8. Length of set up time is measured at cold first start. Turning ON/OFF the power supply very quickly may lead to increase of the set up time.</li> <li>9. 10% duty cycle maximum within every second. Average output power should not exceed the rated power.</li> </ol> |                                                                                                                    |        |                                                                                                             |         |

**Mechanical Specification**

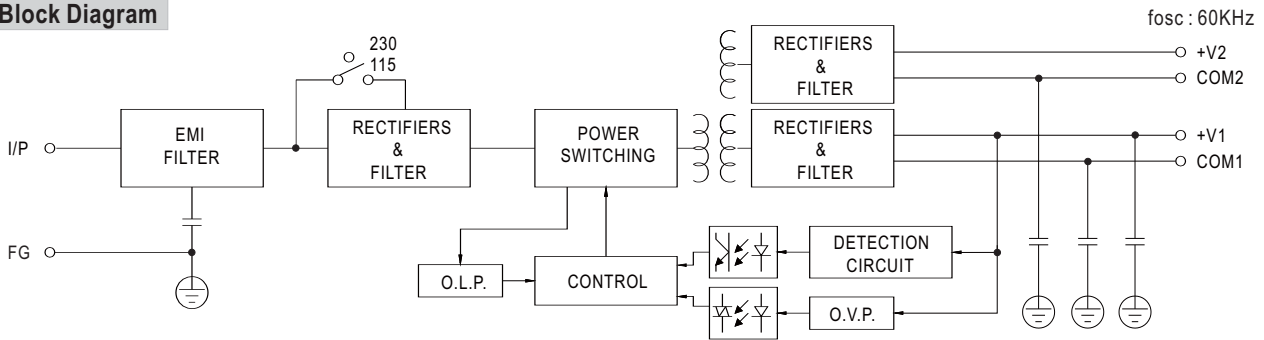
Case No. 902A Unit:mm



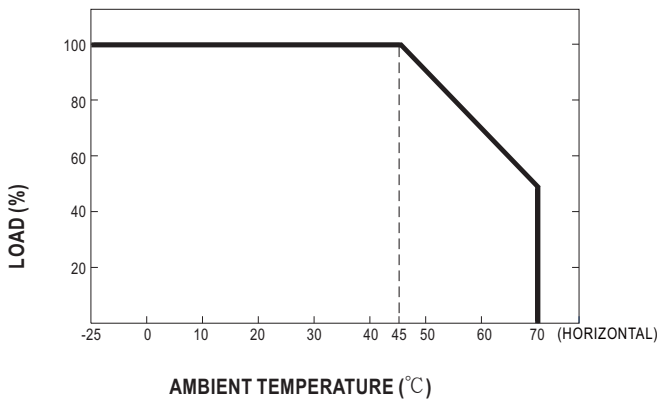
Terminal Pin No. Assignment

| Pin No. | Assignment     | Pin No. | Assignment     |
|---------|----------------|---------|----------------|
| 1       | AC/L           | 5       | DC OUTPUT +V2  |
| 2       | AC/N           | 6       | DC OUTPUT COM1 |
| 3       | FG             | 7       | DC OUTPUT +V1  |
| 4       | DC OUTPUT COM2 |         |                |

**Block Diagram**



**Derating Curve**



**Static Characteristics**

