

## FEATURES

- Coaxial-type solenoid operated valve designed for high flow rates with low pressure loss
- Compatible with viscous or abrasive gases and liquids
- Suitable for high pressure applications
- Solenoid operated valve designed for long service life
- Vacuum operation up to  $10^{-4}$  mbar
- The valves satisfy article 4.3 of Pressure Equipment Directive 2014/68/EU

## GENERAL

<b>Differential pressure</b>	A → B : 40 bar, B → A : 12 bar [1 bar = 100 kPa]			
<b>Maximum viscosity</b>	500 cSt (mm <sup>2</sup> /s)			
<b>Response time</b> (air operation $\Delta P = 4$ bar)	3/8	1/2	3/4	1
opening time (ms)	45	60	105	150
closing time (ms)	70	130	150	190

fluids (*)	temperature range (TS)	seal materials (*)
air and gas groups 1 & 2 water, oil, liquids groups 1 & 2	-20°C to +100°C	FPM (fluoroelastomer) PTFE

## MATERIALS IN CONTACT WITH FLUID

(\*) Ensure that the compatibility of the fluids in contact with the materials is verified

	Brass body	Stainless steel body
<b>Body</b>	Brass	Stainless steel
<b>Internal parts</b>	Brass	Stainless steel
<b>Tube</b>	Stainless steel	Stainless steel
<b>Seals</b>	FPM /PTFE	FPM /PTFE
<b>Disc seal</b>	FPM	FPM

## ELECTRICAL CHARACTERISTICS

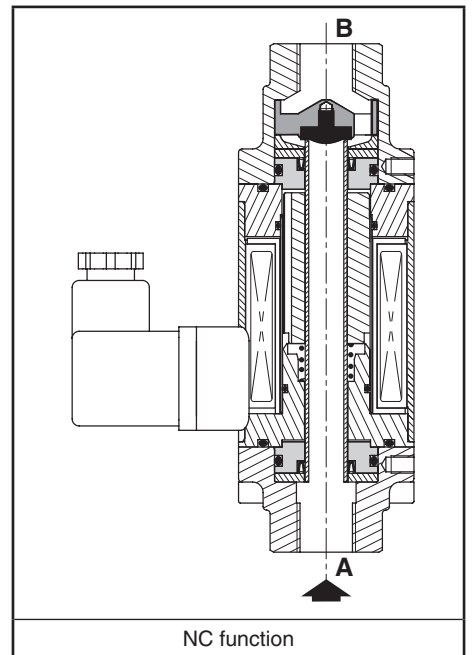
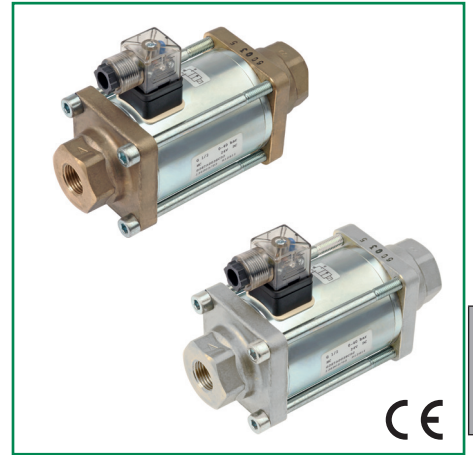
<b>Coil insulation class</b>	H
<b>Connector (rectifier for AC)</b>	Spade plug (cable $\varnothing$ 6-8 mm) with indicator LED
<b>Connector specification</b>	ISO 4400 / EN 175301-803, form A
<b>Electrical safety</b>	IEC 335
<b>Electrical enclosure protection</b>	IP65 (EN 60529)
<b>Standard voltages</b>	DC (=) : 24V AC (~) : 115V - 230V / 50 Hz

prefix option	pipe size	power ratings (integrated coil DC (=), cold)			operator ambient temperature range (TS) (C°)	replacement coil		type <sup>(1)</sup>
		115 V (~) (W)	230 V (~) (W)	24 V (~/=) (W)		~	=	
SC	3/8	40	42	35	-20 to +60	-	-	01
	1/2	45	55	51				
	3/4	62	60	53				
	1	68	69	60				

<sup>(1)</sup> Refer to the dimensional drawings on the following page.

## SPECIFICATIONS

pipe size	DN	flow coefficient Kv		operating pressure differential (bar)				power coil (W)		catalogue number		
				max. (PS)						brass	stainless steel	
				air/gas/water/oil (*)								
				min.		B → A		A → B		~/=	~/=	
G		(m <sup>3</sup> /h)	(l/min)	~	=	~	=	~	=			
<b>NC - Normally closed</b>												
3/8	10	2,2	36,6	0	12	12	40	40	42	35	SCG287A001	SCG287A009
1/2	15	5,2	86,6	0	12	12	40	40	55	51	SCG287A002	SCG287A010
3/4	20	7,5	125	0	12	12	40	40	60	53	SCG287A003	SCG287A011
1	25	12,2	203,3	0	12	12	40	40	69	60	SCG287A004	SCG287A012
<b>NO - Normally open</b>												
3/8	10	2,2	36,6	0	12	12	40	40	42	35	SCG287A005	SCG287A013
1/2	15	5,2	86,6	0	12	12	40	40	55	51	SCG287A006	SCG287A014
3/4	20	7,5	125	0	12	12	40	40	60	53	SCG287A007	SCG287A015
1	25	12,2	203,3	0	12	12	40	40	69	60	SCG287A008	SCG287A016



### OPTIONS

- Connector rectifier: 115 V AC, catalogue number: **88122635**; 230 V AC, catalogue number: **88122634**

### INSTALLATION

- The solenoid valves can be mounted in any position without affecting operation
- Solenoid valves have 2 mounting holes in body
- Pipe connection identifier is G = G (ISO 228/1)
- Installation/maintenance instructions are included with each valve

### SPARE PARTS KIT & ACCESSORIES

catalogue number	spare parts kit no.		mounting bracket no.
	brass	stainless steel	
SCG287A001/009/005/013	<b>C140178</b>	<b>C140179</b>	<b>C140130</b>
SCG287A002/010/006/014	<b>C140182</b>	<b>C140183</b>	<b>C140131</b>
SCG287A003/011/007/015	<b>C140186</b>	<b>C140187</b>	<b>C140132</b>
SCG287A004/012/008/016	<b>C140190</b>	<b>C140191</b>	<b>C140133</b>

### ORDERING EXAMPLES:

SC	G	287	A	001	230V / 50 Hz
SC	G	287	A	005	115V / 50 Hz
SC	G	287	A	009	24V / DC

prefix — pipe thread — basic number — voltage — suffix

### ORDERING EXAMPLES KITS:

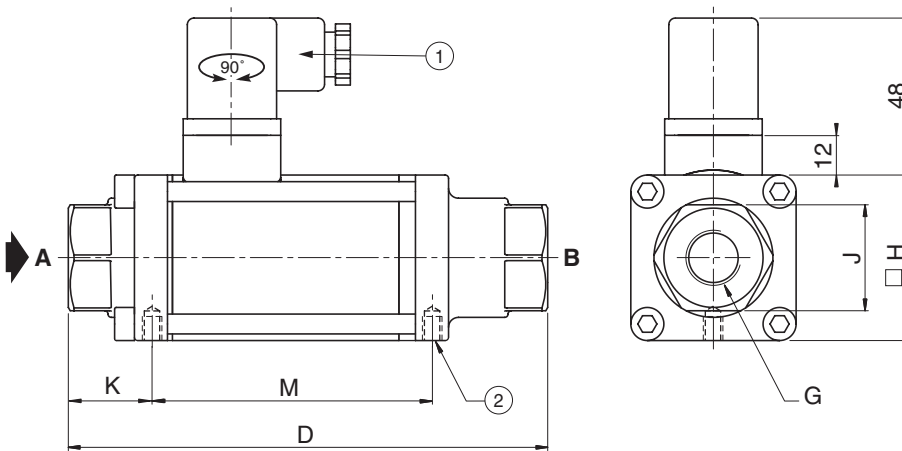
C140179	basic number
C140183	

### DIMENSIONS (mm), WEIGHT (kg)



#### TYPE 01

Prefix "SC" Solenoid  
IEC 335 / ISO 4400  
IP65



- ① Connector rectifier for AC (~)
- ② 2 mounting holes Ø M5, depth 7 mm

type	prefix option	G	D	H	J	K	M	X	Y	Z	weight <sup>(1)</sup>
01	SC	3/8	145	50	32	25	85	24	111	6	1,7
		1/2	173	70	41	31	103	38	136	6	3,7
		3/4	193	80	46	35	111	45	151	7	5,4
		1	212	90	55	36	121	50	165	7	7,1

<sup>(1)</sup> Including connector (without mounting brackets).

