

Relative pressure switch type 521



Pressure range
0 ... 2.5 – 600 bar



The compact type 521 pressure switch is based upon the Huba Control developed thick film technology where the pressure measuring cell is fully welded.

Switching points set in factory are available both N/C and N/O function. Various electrical and pressure connections are available to suit given applications.

- Compact, rugged construction
- Welded without sealing parts
- Saving time by quick cable mounting by the customer with swift connector
- Large selection of connections available.

Technical overview

Pressure range

Relative 0 ... 2.5 – 600 bar

Operating conditions

Medium	Liquids, gases and refrigerants (incl. ammonia)	
Temperature	Medium	-40 ... +135 °C
	Ambient	-30 ... +85 °C
	Storage	-50 ... +100 °C
Tolerable overload	≤ 6 bar	5 x FS
	> 6 bar	3 x FS (max. 1500 bar)
Rupture pressure	≤ 6 bar	10 x FS
	> 6 bar	6 x FS (max. 2500 bar)

Materials

Pressure Connection	Stainless steel 1.4404 / AISI 316L (inside thread Schrader 1.4305 / AISI 303 only)	
Plug accommodation	Polyarylamide 50% GF UL 94 V-0	
Materials in contact with medium	Pressure connection	Stainless steel 1.4404 / AISI 316L (inside thread Schrader 1.4305 / AISI 303 only)
	Sensor	Stainless steel

Electrical overview

Output	Semiconductor (open collector)	
Switching contact	High-Side Switch (PNP) N/C contact or N/O contact	
Switch load	High-Side Switch (PNP) max. 200 mA	
Power supply	7 ... 33 VDC	
Current consumption	< 4 mA	
Insulation voltage	500 VDC	

Protection class

Protection class III

Dynamic response

Response time	< 2 ms, 1 ms typ.
Load cycle	< 100 Hz

Adjustment of switching points (factory set)

Upper switching point	8 ... 100% fs
Lower switching point	5 ... 97% fs
Hysteresis	≥ 3 % fs

Protection standard

IP 67

Electrical connection

Swift connector without or with cable 1.5 m
Connector M12x1

Pressure connection

Inside thread	1/16 - 20 UNF	without or with Schrader
	G 1/4	with O-Ring seal FPM (-30 ... +135 °C)
	1/2 -14 NPT	≤ 60 bar
Outside thread	M20x1.5	sealed at front and manometer (combi)
	1/16 - 20 UNF	
	1/4 -18 NPT	
	G 1/4	sealed at back DIN 3852-E with Profile seal ring in FPM (-30 ... +135 °C)
	R 1/4	EN 10226
	G 1/2	sealed at back and manometer (combi) with Profile seal ring in FPM (-30 ... +135 °C)
	G 1/2	sealed at front

Installation arrangement

Unrestricted

Tests / Admissions

Electromagnetic compatibility	CE conformity acc. EN 61326-2-3 and 50121-3-2
Shock acc. IEC IEC 68-2-27	100 g, 11 ms half sine wave, all 6 directions, free fall from 1 m on concrete (6x)
Constant shock acc. IEC 68-2-29	40 g for 6 ms, 1000x all 3 directions
Vibration acc. IEC 68-2-6	20 g, 15 ... 2000 Hz, 15 ... 25 Hz with amplitude ± 15 mm, 1 Octave/min. all 3 directions, 50 constant load
UL	ANSI / UL 61010-1 acc. E325110

Weight

~ 90 g

Packaging (Please state on order)

Single packaging in cardboard	accessories integrated
Multiple packaging in cardboard (25 pcs)	

Accuracy

Parameter		Unit	
Switching points ¹⁾		% fs	± 0.5
Resolution		% fs	0.1
Thermal characteristic ²⁾	max.	% fs/10K	± 0.2
Long term stability acc. IEC EN 60770-1	max.	% fs	± 0.25

Test conditions: 25°C, 45% RH, power supply 24 VDC

¹⁾ typ. ; max. 1.0% fs (incl. hysteresis and repeatability)

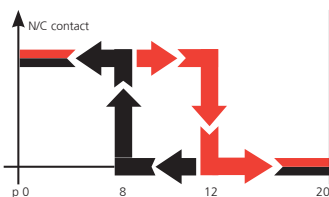
²⁾ -15 ... 85 °C

Order code selection table in bar		1	2	3	4	5	6	7	8	9	10	11	
		521. X X X X X X X X X X X X											
Pressure range ¹⁾	0 ... 2.5 bar	9	1	4									
	0 ... 4 bar	9	1	5									
	0 ... 6 bar	9	1	7									
	0 ... 10 bar	9	3	0									
	0 ... 16 bar	9	3	1									
	0 ... 25 bar	9	3	2									
	0 ... 40 bar	9	3	3									
	0 ... 60 bar	9	4	0									
	0 ... 100 bar	9	4	1									
	0 ... 160 bar	9	4	2									
	0 ... 250 bar	9	4	3									
0 ... 400 bar	9	5	4										
0 ... 600 bar	9	5	5										
Version	standard					S	0						
	for oxygen applications					S	1						
Switching contact	Contact N/O High-Side-Switch PNP							1					
	Contact N/C High-Side-Switch PNP							2					
Electrical connection	Swift connector								0				
	Connector M12x1 ²⁾								3				
	Swift connector with cable 1.5 m								L				
Pressure connection ³⁾	Inside thread	7/16-20 UNF Schrader								0		N	
		7/16-20 UNF									K	1	
		G 1/4 with O-Ring seal FPM										1	1
		1/2 -14 NPT (≤ 60 bar)										D	1
		M20x1.5 sealed at front and manometer (combi)										E	1
	Outside thread	7/16-20 UNF									2		1
		1/4 -18 NPT									3		1
		G 1/4 sealed at back DIN 3852-E with Profile seal ring in FPM									4		1
		R 1/4 acc. to EN 10226									7		1
		G 1/2 sealed at back and manometer with Profile seal ring in FPM									8		1
G 1/2 sealed at front									9		1		
Version	without pressure tip orifice (Inclusive pressure tip orifice from 100 bar on)										0		
	with pressure tip orifice										2		
Material	Stainless steel 1.4305 / AISI 303											N	
pressure connection	Stainless steel 1.4404 / AISI 316L											1	
Switching points	Indicate W and state switching points on order (e.g.: W100/60bar)											W	

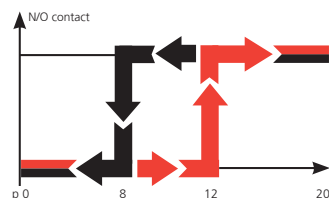
Accessories

	Order number
Swift connector	117312
Straight-wire box for connector M12x1	3-pole 114570
Straight-wire box for connector M12x1 with cable	200 cm 114605
Corner-wire box for connector M12x1 with cable	3-pole 200 cm 114604
Corner-wire box for connector M12x1	3-pole 106975
Mounting bracket with screw	118716
Calibration certificate	104551

Function

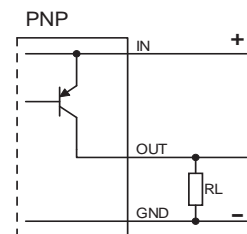


N/C contact: When pressure is applied ($p_0 \rightarrow p_{max}$) the switch will disconnect the applied load as soon as the upper switching point is reached. As the pressure falls ($p_{max} \rightarrow p_0$) the switch will connect the load as soon as the lower switching point is reached.



N/O contact: When pressure is applied ($p_0 \rightarrow p_{max}$) the switch will connect the applied load as soon as the upper switching point is reached. With a fall in pressure ($p_{max} \rightarrow p_0$) the switch will disconnect the load as soon as the lower switching point is reached.

Example: p_0 20 bar
 Upper switching point 12 bar
 Lower switching point 8 bar
 max. switching load 100 mA



¹⁾ Other pressure ranges on request ²⁾ Delivery without female connector ³⁾ Other pressure connections on request

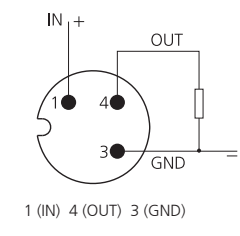
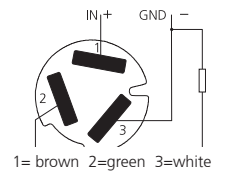
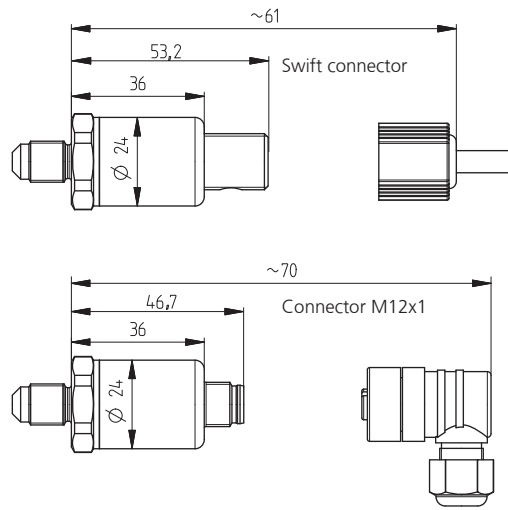
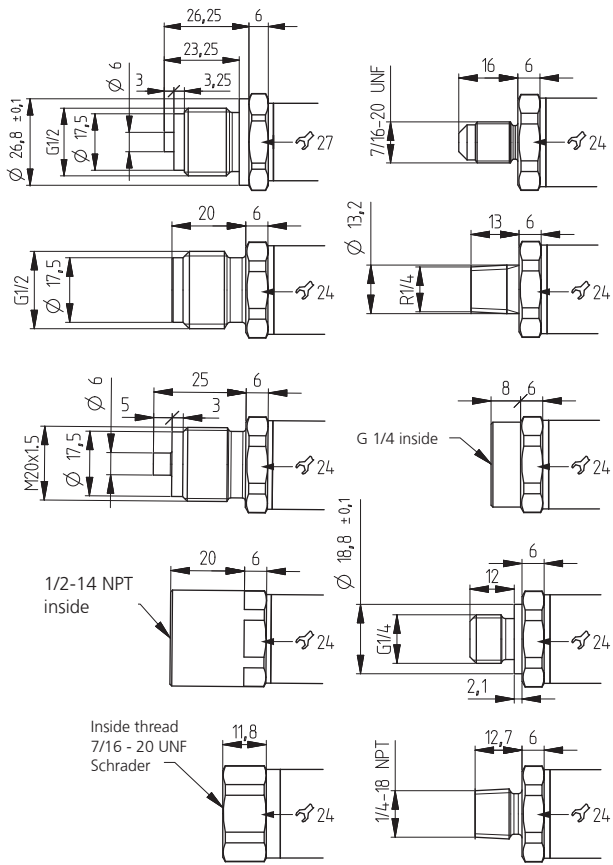
Order code selection table in psi		1	2	3	4	5	6	7	8	9	10	11
		521.	X	X	X	X	X	X	X	X	X	X
Pressure range ¹⁾	0 ... 30 psi	9	B	4								
	0 ... 60 psi	9	B	5								
	0 ... 100 psi	9	B	7								
	0 ... 200 psi	9	C	1								
	0 ... 300 psi	9	C	2								
	0 ... 500 psi	9	C	3								
	0 ... 750 psi	9	D	0								
	0 ... 1000 psi	9	D	1								
	0 ... 2000 psi	9	D	2								
	0 ... 3000 psi	9	D	3								
	0 ... 5000 psi	9	E	4								
0 ... 7500 psi	9	E	5									
Version	standard				S	0						
	for oxygen applications				S	1						
Switching contact	Contact N/O High-Side-Switch PNP						1					
	Contact N/C High-Side-Switch PNP						2					
Electrical connection	Swift connector							0				
	Connector M12x1 ²⁾							3				
	Swift connector with cable 1.5 m							L				
Pressure connection ³⁾	Inside thread	$\frac{7}{16}$ -20 UNF Schrader							0		N	
		$\frac{7}{16}$ -20 UNF							K		1	
		G $\frac{1}{4}$ wiht O-Ring seal FPM							1		1	
		$\frac{1}{2}$ -14 NPT (\leq 870 psi)							D		1	
	Outside thread	M20x1.5 sealed at front and manometer (combi)							E		1	
		$\frac{7}{16}$ -20 UNF							2		1	
		$\frac{1}{4}$ -18 NPT							3		1	
		G $\frac{1}{4}$ sealed at back DIN 3852-E with Profile seal ring in FPM							4		1	
		R $\frac{1}{4}$ acc. to EN 10226							7		1	
		G $\frac{1}{2}$ sealed at back and manometer with Profile seal ring in FPM							8		1	
G $\frac{1}{2}$ sealed at front							9		1			
Version	without pressure tip orifice (Inclusive pressure tip orifice from 2'000 psi on)									0		
	with pressure tip orifice ²⁾									2		
Material	Stainless steel 1.4305 / AISI 303										N	
pressure connection	Stainless steel 1.4404 / AISI 316L										1	
Switching points	Indicate W and state switching points on order (e.g.: W1000/400psi)											W

Order code selection table in MPa		1	2	3	4	5	6	7	8	9	10	11
		521.	X	X	X	X	X	X	X	X	X	X
Pressure range ¹⁾	0 ... 0.25 MPa	9	G	4								
	0 ... 0.4 MPa	9	G	5								
	0 ... 0.6 MPa	9	G	7								
	0 ... 1 MPa	9	H	0								
	0 ... 1.6 MPa	9	H	1								
	0 ... 2.5 MPa	9	H	2								
	0 ... 4 MPa	9	H	3								
	0 ... 6 MPa	9	K	0								
	0 ... 10 MPa	9	K	1								
	0 ... 16 MPa	9	K	2								
	0 ... 25 MPa	9	K	3								
	0 ... 40 MPa	9	L	4								
	0 ... 60 MPa	9	L	5								
Version	standard				S	0						
	for oxygen applications				S	1						
Switching contact	Contact N/O High-Side-Switch PNP						1					
	Contact N/C High-Side-Switch PNP						2					
Electrical connection	Swift connector							0				
	Connector M12x1 ²⁾							3				
	Swift connector with cable 1.5 m							L				
Pressure connection ³⁾	Inside thread	$\frac{7}{16}$ -20 UNF Schrader							0		N	
		$\frac{7}{16}$ -20 UNF							K		1	
		G $\frac{1}{4}$ wiht O-Ring seal FPM							1		1	
		$\frac{1}{2}$ -14 NPT (\leq 6 MPa)							D		1	
	Outside thread	M20x1.5 sealed at front and manometer (combi)							E		1	
		$\frac{7}{16}$ -20 UNF							2		1	
		$\frac{1}{4}$ -18 NPT							3		1	
		G $\frac{1}{4}$ sealed at back DIN 3852-E with Profile seal ring in FPM							4		1	
		R $\frac{1}{4}$ acc. to EN 10226							7		1	
		G $\frac{1}{2}$ sealed at back and manometer with Profile seal ring in FPM							8		1	
G $\frac{1}{2}$ sealed at front							9		1			
Version	without pressure tip orifice (Inclusive pressure tip orifice from 10 MPa on)									0		
	with pressure tip orifice ²⁾									2		
Material	Stainless steel 1.4305 / AISI 303										N	
pressure connection	Stainless steel 1.4404 / AISI 316L										1	
Switching points	Indicate W and state switching points on order (e.g.: W10/5MPa)											W

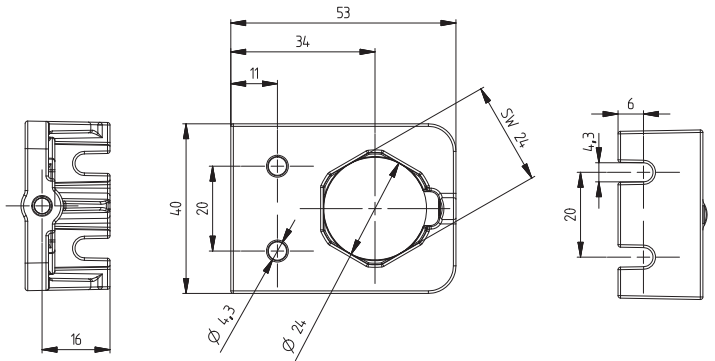
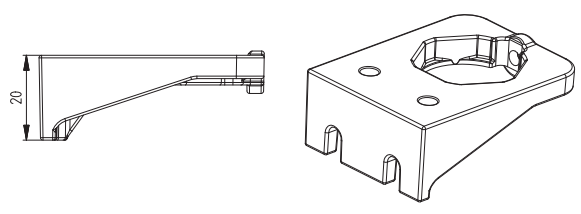
¹⁾ Other pressure ranges on request

²⁾ Delivery without female connector

³⁾ Other pressure connections on request



Mounting bracket



Huba Control AG

Headquarters

Industriestrasse 17
5436 Würenlos
Telefon +41 (0) 56 436 82 00
Telefax +41 (0) 56 436 82 82
info.ch@hubacontrol.com

Huba Control AG

Niederlassung Deutschland

Schlattgrabenstrasse 24
72141 Walddorfhäslach
Telefon +49 (0) 7127 23 93 00
Telefax +49 (0) 7127 23 93 20
info.de@hubacontrol.com

Huba Control SA

Succursale France

Rue Lavoisier
Technopôle Forbach-Sud
57602 Forbach Cedex
Téléphone +33 (0) 387 847 300
Télécopieur +33 (0) 387 847 301
info.fr@hubacontrol.com

Huba Control AG

Vestiging Nederland

Hamseweg 20A
3828 AD Hoogland
Telefoon +31 (0) 33 433 03 66
Telefax +31 (0) 33 433 03 77
info.nl@hubacontrol.com

Huba Control AG

Branch Office United Kingdom

Unit 13 Berkshire House
County Park Business Centre
Shrivenham Road
Swindon Wiltshire SN1 2NR
Phone +44 (0) 1993 776667
Fax +44 (0) 1993 776671
info.uk@hubacontrol.com