

## FEATURES

- The piston cartridge pulse valves are especially designed for dust collector service applications, combining high flow, long life and extremely fast opening and closing to produce reliable and economical operation
- The angle bodies and special piston cartridge result in unique operating features required for dust collector service applications
- The design with Quick Mount connections eliminates the time consuming thread cutting and sealing resulting in maximum flexibility while the valve will be anchored to the pipes
- Built-in silencers reduce noise and prevent foreign particles from entering the valve
- The integral operators are provided with epoxy moulded F-class coils. Various optional waterproof and explosionproof solenoids for use in potentially explosive atmospheres (gas & dust) according to Directive ATEX 2014/34/EU can be mounted on the same basic valve.
- The components satisfy all relevant EC directives



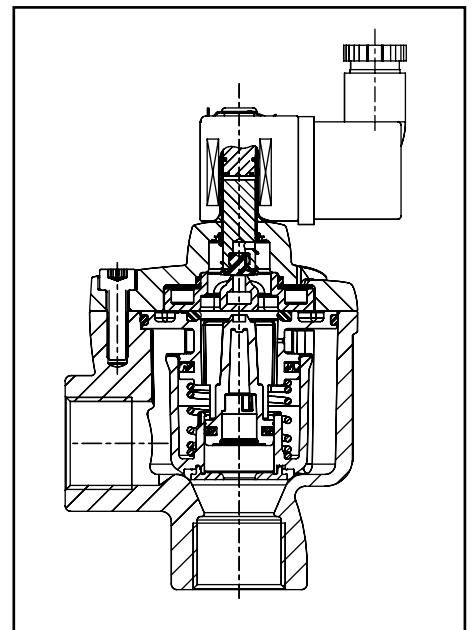
## GENERAL

**Differential pressure (PS)** 0,3 - 8,5 bar [1 bar = 100kPa]  
**Ambient temperature range** -20 to +85°C

| fluid | temperature range (TS) | piston           |
|-------|------------------------|------------------|
| air   | -20 to +85°C           | POM (polyacetal) |

## CONSTRUCTION

|                              |  |
|------------------------------|--|
| <b>Body</b>                  | Aluminium                                    |
| <b>Bonnet</b>                | Aluminium                                    |
| <b>Quick Mount clamps</b>    | Steel  |
| <b>Bolts</b>                 | Steel  |
| <b>Core tube</b>             | Stainless steel                              |
| <b>Core and plugnut</b>      | Stainless steel                              |
| <b>Core spring</b>           | Stainless steel                              |
| <b>Sealings &amp; disc</b>   | NBR (nitrile)                                |
| <b>Piston/cartridge</b>      | POM / NBR                                    |
| <b>Shading coil</b>          | Copper                                       |
| <b>Coil insulation class</b> | F  |
| <b>Connector</b>             | Spade plug (cable Ø 6 - 8 mm), 3 x DIN 46244 |
| <b>Electrical safety</b>     | IEC 335                                      |



## ELECTRICAL CHARACTERISTICS

**Standard voltages** DC (=) : 24V  
(Other voltages and 60 Hz on request) AC (~) : 24V - 115V - 230V / 50 Hz

| coil type            | nominal power ratings |         |          |                      | ambient temperature range (°C) | protection   | Replacement coil |                 |
|----------------------|-----------------------|---------|----------|----------------------|--------------------------------|--------------|------------------|-----------------|
|                      | inrush<br>~<br>(VA)   | holding |          | hot/cold<br>=<br>(W) |                                |              | ~<br>230 V/50 Hz | =<br>24 V DC    |
|                      |                       | (VA)    | (W)      |                      |                                |              |                  |                 |
| XM5-FB<br>XM5-FI (1) | 14,5<br>-             | 11<br>- | 6,3<br>- | -<br>15 / 22         | -20 to +85                     | moulded IP65 | 400127-217<br>-  | -<br>400127-642 |

## SPECIFICATIONS

| pipe size   | orifice size<br>(mm) | flow coefficient Kv |         | operating pressure differential (bar) |                      | catalogue number |                | Quick Mount clamps |
|---|----------------------|---------------------|---------|---------------------------------------|----------------------|------------------|----------------|--------------------|
|   |                      | (m³/h)              | (l/min) | min.                                  | max. (PS) air<br>~/= | standard         | ATEX dust II3D |                    |
| <b>(G*) - Threaded pipe connection</b>                    |                      |                     |         |                                       |                      |                  |                |                    |
| 3/4   | 20                   | 14                  | 233     | 0,3                                   | 8,5                  | SC E353A811      | SG E353A811    | -                  |
| 1   | 25                   | 23                  | 383     | 0,3                                   | 8,5                  | SC E353A821      | SG E353A821    | -                  |
| 1 1/2   | 40                   | 46                  | 768     | 0,3                                   | 8,5                  | SC E353A831      | SG E353A831    | -                  |
| <b>(Ø) - Quick Mount connection on inlet</b>              |                      |                     |         |                                       |                      |                  |                |                    |
| 3/4   | 20                   | 14                  | 233     | 0,3                                   | 8,5                  | SC S353A811      | SG S353A811    | C117-281           |
| 1   | 25                   | 23                  | 383     | 0,3                                   | 8,5                  | SC S353A821      | SG S353A821    | C117-282           |
| 1 1/2   | 40                   | 46                  | 768     | 0,3                                   | 8,5                  | SC S353A831      | SG S353A831    | C117-290           |
| <b>(Ø) - Quick Mount connection on inlet &amp; Outlet</b> |                      |                     |         |                                       |                      |                  |                |                    |
| 3/4   | 20                   | 14                  | 233     | 0,3                                   | 8,5                  | SC S353A711      | SG S353A711    | C117-281           |
| 1   | 25                   | 23                  | 383     | 0,3                                   | 8,5                  | SC S353A721      | SG S353A721    | C117-282           |
| 1 1/2   | 40                   | 46                  | 768     | 0,3                                   | 8,5                  | SC S353A731      | SG S353A731    | C117-290           |

(1) Intermittent duty, Relative Duty Time is 10%. Max. on time 1 min.

### OPTIONS

- Waterproof enclosure with embedded screw terminal coil according to protection class IP67, CEE 10.
- Explosionproof solenoids for hazardous locations according to "ATEX" and national standards.
- Explosionproof and watertight solenoids according to "NEMA" standards.
- Plug with visual indication and/or peak voltage suppression.
- Electronic timer.
- Additional Quick Mount clamps for outlet connection, see "Specifications" table.

### INSTALLATION

- The valves can be mounted in any position without affecting operation.
- Pipe connection identifiers are: G\*= combination thread according to ISO 228/1 and ISO 7/1 or Ø for Quick Mount.
- For Quick Mount types tightness is achieved by the O-ring sealing on the pipes (3/4"=Ø26,4 to 27,4 and 1"=Ø33,2 to 34,2 and 1 1/2"=Ø47,8 to 48,8) according to ISO 4200.
- Other pipe threads are available on request.
- Installation/maintenance instructions are included with each valve.
- Spare parts kit and replacement coils are available.

### DIMENSIONS (mm), WEIGHT (kg)

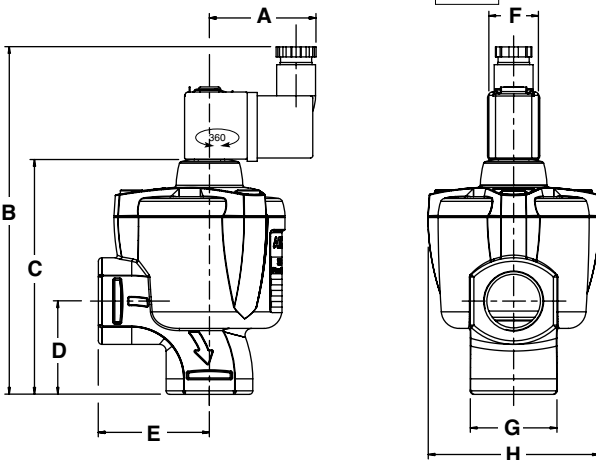


Fig. 1: Threaded type

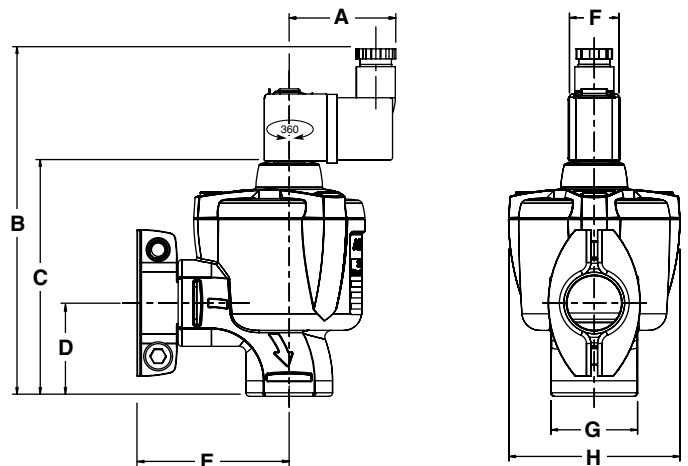


Fig. 2: Quick Mount type (inlet only)

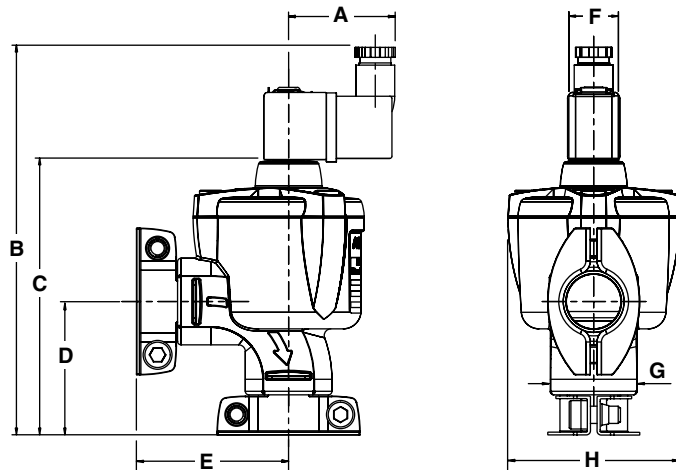


Fig. 3: Quick Mount type (inlet & outlet)

### SPARE PARTS KITS

| catalogue number | Spare parts kit no.<br>~/= |
|------------------|----------------------------|
| SCE353A811/821   | C117273                    |
| SGE353A811/821   |                            |
| SCE353/A831      | C117285                    |
| SGE353/A831      |                            |
| SCS353/A811      | C117274                    |
| SGS353/A811      |                            |
| SCS353A821       | C117275                    |
| SGS353/A821      |                            |
| SCS353/A831      | C117286                    |
| SGS353/A831      |                            |

| catalogue number | A  | B   | C   | D  | E  | F  | G  | H   | weight (1) | (C)   |
|------------------|----|-----|-----|----|----|----|----|-----|------------|-------|
| (1) E353A811     | 48 | 156 | 106 | 42 | 50 | 22 | 39 | 77  | 0,52       | Fig.1 |
| (1) E353A821     | 48 | 162 | 112 | 51 | 62 | 22 | 46 | 77  | 0,63       | Fig.1 |
| (1) E353A831     | 48 | 191 | 141 | 60 | 71 | 22 | 62 | 112 | 1,17       | Fig.1 |
| (1) S353A811     | 48 | 156 | 106 | 42 | 70 | 22 | 39 | 77  | 0,60       | Fig.2 |
| (1) S353A821     | 48 | 162 | 112 | 51 | 83 | 22 | 46 | 77  | 0,69       | Fig.2 |
| (1) S353A831     | 48 | 191 | 141 | 60 | 97 | 22 | 62 | 112 | 1,37       | Fig.2 |
| (1) S353A711     | 48 | 176 | 126 | 62 | 70 | 22 | 39 | 77  | 0,68       | Fig.3 |
| (1) S353A721     | 48 | 183 | 133 | 71 | 83 | 22 | 46 | 77  | 0,80       | Fig.3 |
| (1) S353A731     | 48 | 217 | 167 | 80 | 97 | 22 | 62 | 112 | 1,58       | Fig.3 |

(1) incl. coil and connector (prefix SC or SG) (C) construction type

All leaflets are available on: [www.asconumatics.eu](http://www.asconumatics.eu)