


60x60x10 mm

12.2~16.3 CFM

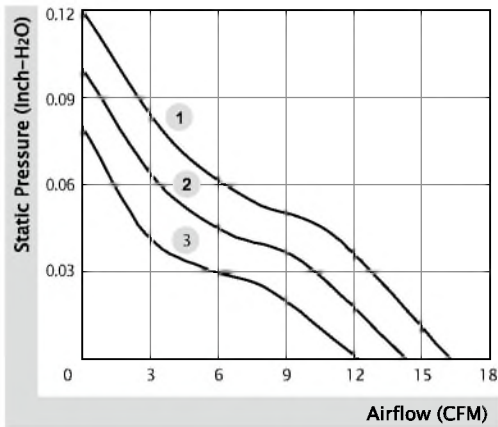


■ Specification

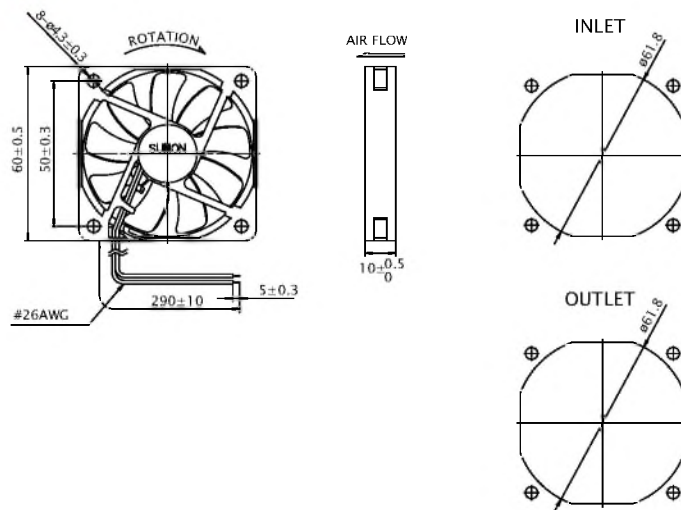
	Bearing	Rated Voltage	Power Current	Power Consumption	Speed	Airflow	Static Pressure	Noise	Weight	Curve
	● VAPO	(VDC)	(mA)	(WATTS)	(RPM)	(CFM)	(inch-H ₂ O)	(dB(A))	(g)	
MF60101V1-10000-A99	●	12	108	1.30	4000	16.3	0.12	28.5	23.0	1
MF60101V2-10000-A99	●	12	75	0.90	3500	14.3	0.10	25.0	23.0	2
MF60101V3-10000-A99	●	12	46	0.56	3000	12.2	0.08	20.5	23.0	3

■ Function R Type : F99 / F Type : G99

■ Air Flow-Static Pressure Characteristics



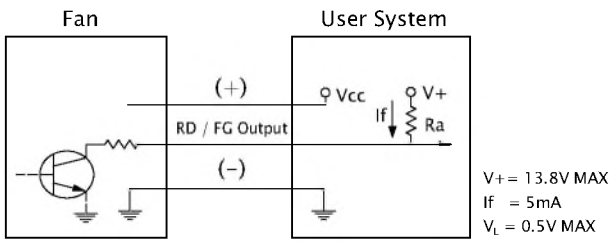
■ External Dimensions(mm)



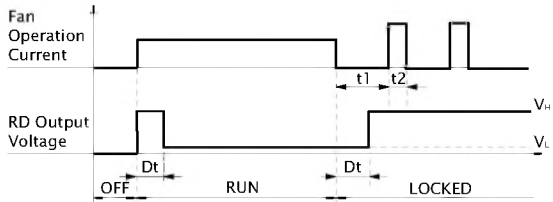
※ All model could be customized. Please contact with Sunon Sales.

※ Specifications are subject to change without notice. Please Visit SUNON website at www.sunon.com for update information.

■ RD / FG Output Signal



[RD Signal]



[FG Signal]

