

60x60x15 mm

5.1~6.2 CFM

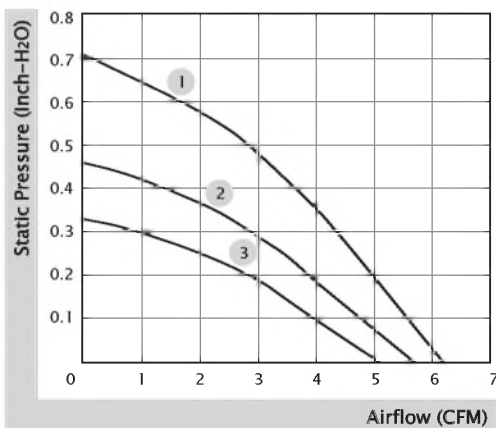


■ Specification

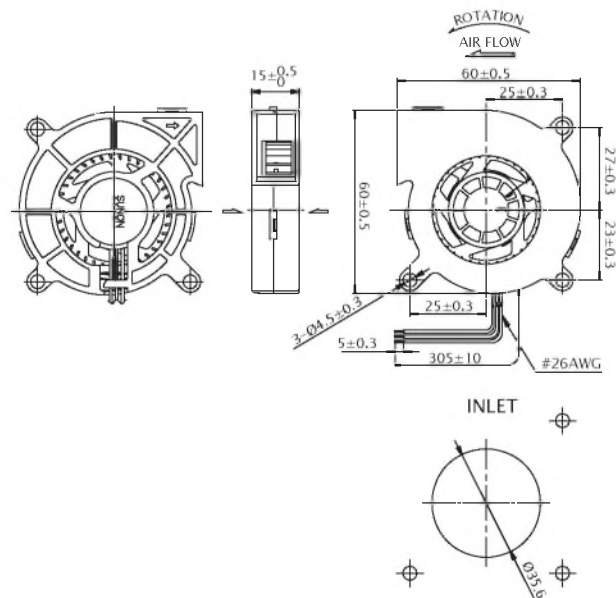
Model	Bearing	Rated Voltage	Power Current	Power Consumption	Speed	Airflow	Static Pressure	Noise	Weight	Curve
	2BALL Sleeve	(VDC)	(mA)	(WATTS)	(RPM)	(CFM)	(inch-H ₂ O)	(dB(A))	(g)	
MF60151VX-1B000-A99	☛	12	130	1.56	4500	6.2	0.71	37.7	36.0	1
MF60151V1-1B000-A99	☛	12	75	0.90	4000	5.7	0.46	32.8	36.0	2
MF60151V2-1B000-A99	☛	12	55	0.66	3600	5.1	0.33	29.0	36.0	3

■ Function R Type : F99 / F Type : G99

■ Air Flow-Static Pressure Characteristics



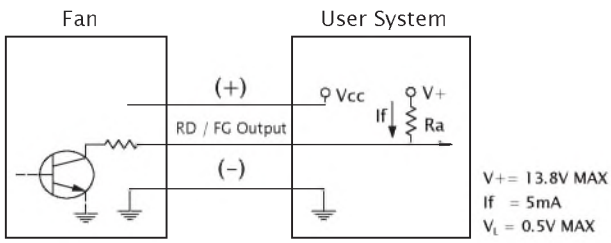
■ External dimensions(mm)



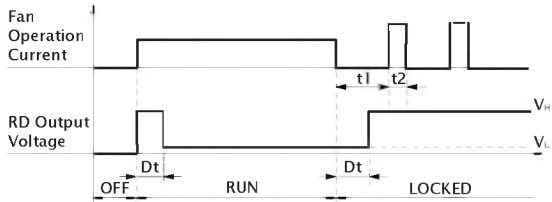
* All model could be customized. Please contact with Sunon Sales.

* Specifications are subject to change without notice. Please Visit SUNON website at www.sunon.com for update information.

■ RD / FG Output Signal



[RD Signal]



[FG Signal]

