

# 97x94x33 mm

22.4~30.5 CFM

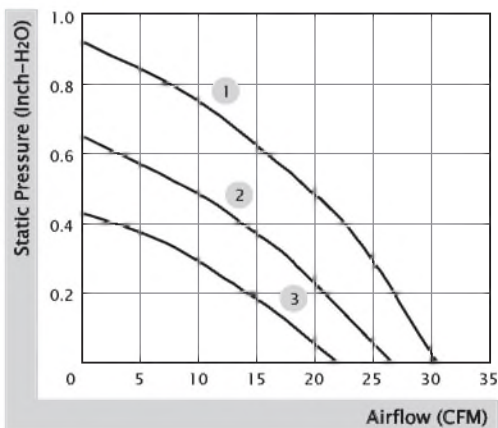


■ Specification

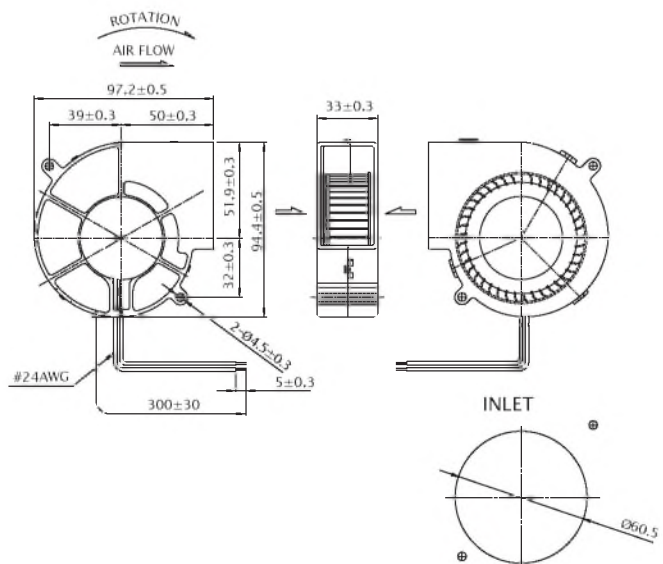
Model	Bearing	Rated Voltage	Power Current	Power Consumption	Speed	Airflow	Static Pressure	Noise	Weight	Curve
	2BALL Sleeve	(VDC)	(mA)	(WATTS)	(RPM)	(CFM)	(inch-H <sub>2</sub> O)	(dB(A))	(g)	
PMB1 297PYB1-AY (2).GN	☛	12	600	7.20	3600	30.5	0.92	55.8	185.00	1
PMB1 297PYB2-AY (2).GN	☛	12	440	5.28	3200	26.6	0.65	53.1	185.00	2
PMB1 297PYB3-AY (2).GN	☛	12	300	3.60	2700	22.4	0.43	50.0	185.00	3

■ Function R Type : (2).R.GN / F Type : (2).F.GN

■ Air Flow-Static Pressure Characteristics



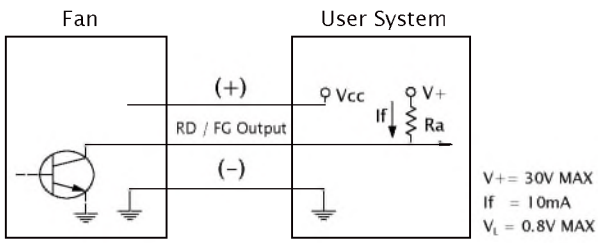
■ External dimensions(mm)



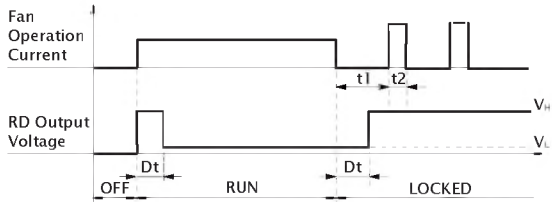
※ All model could be customized. Please contact with Sunon Sales.

※ Specifications are subject to change without notice. Please Visit SUNON website at [www.sunon.com](http://www.sunon.com) for update information.

■ RD / FG Output Signal



[ RD Signal ]



[ FG Signal ]

