

176x176x89 mm

Alveolate Motor

315~335 CFM



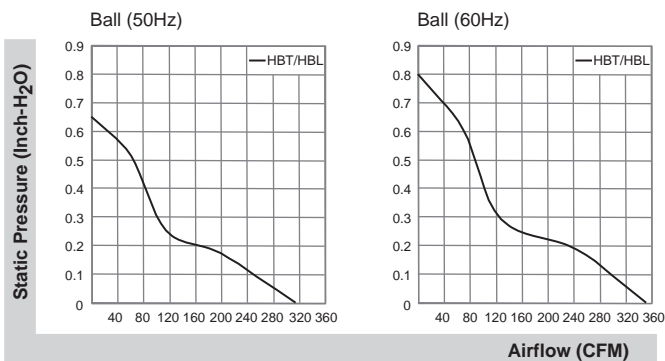
■ Specifications

| Model | P/N | Bearing | Rating Voltage | Freq. | Power Current | Power Consumption | Speed | Air Flow | Static Pressure | Noise | Weight |
|-----------|-------|------------------------------|----------------|-------|---------------|-------------------|-----------|----------|-------------------------|---------|--------|
| | | ● VAPO ○ BALL ○ Sleeve | (VAC) | (Hz) | (AMP) | (WATTS) | (RPM) | (CFM) | (Inch-H ₂ O) | (dB(A)) | (g) |
| A1179-HBT | TC.GN | ○ | 115 | 50/60 | 0.25/0.27 | 24/30 | 2800/3250 | 315/335 | 0.65/0.8 | 62/66 | 1960 |
| A1179-HBL | TC.GN | ○ | 115 | 50/60 | 0.25/0.27 | 24/30 | 2800/3250 | 315/335 | 0.65/0.8 | 62/66 | 1960 |
| A2179-HBT | TC.GN | ○ | 220-240 | 50/60 | 0.11/0.15 | 23/30 | 2800/3250 | 315/335 | 0.65/0.8 | 62/66 | 1960 |
| A2179-HBL | TC.GN | ○ | 220-240 | 50/60 | 0.11/0.15 | 23/30 | 2800/3250 | 315/335 | 0.65/0.8 | 62/66 | 1960 |

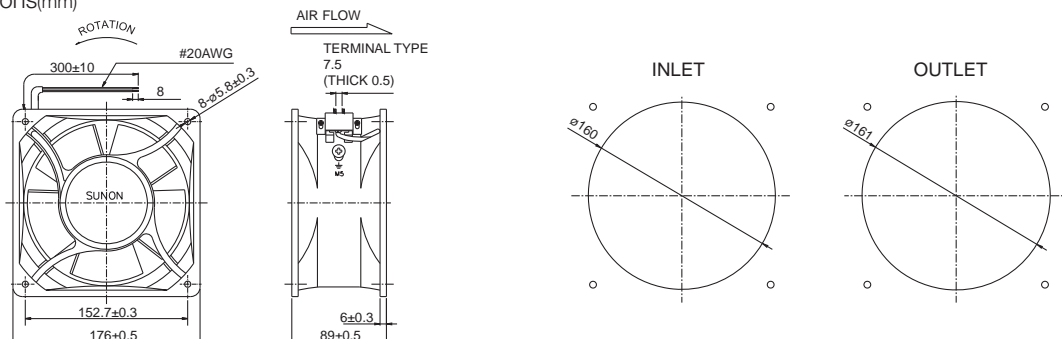
Frame : Aluminum alloy

Safety : UL-CUL/TUV/CE/CCC/BSMI

■ Air Flow-Static Pressure Characteristics



■ External dimensions(mm)



*All model could be customized. Please contact with Sunon Sales.

*Specifications are subject to change without notice. Please Visit SUNON website at <http://www.sunon.com> for update information.