

# Actuator

## LD2

LD2 features its compact design, which is suitable for light load applications in constrained space, such as window opener and partition walls.



### Feature

---

- Main applications: Industrial, furniture
- Input voltage: 24V DC
- Max. load: 800N (push / pull)
- Max. speed at no load: 18 mm/sec
- Max. speed at full load: 14.1 mm/sec
- Stroke: 50 ~ 300 mm
- IP Protection level: IP43
- Color: Aluminum gray
- Preset limit switches
- Duty cycle: 10%, max. 2 min. continuous operation in 20 min.
- Ambient operation temperature: -25°C ~ +65°C
- Certified: CE marking, EMC Directive 2014/30/EU and 2004/108/EC

## Option

- IP54 Protection level
- Clamp (Fig. 1)
- Mounting bracket (Fig. 2)



Fig. 1



Fig. 2

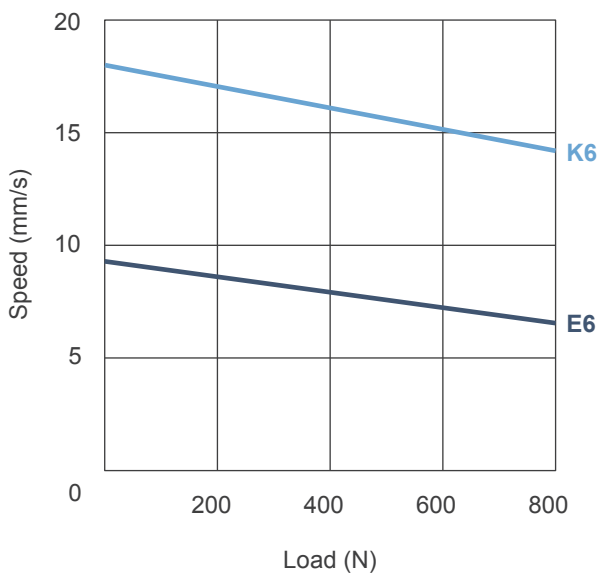
## Compatibility

Product	Model	LD2 spec
Control box	T control, CS1, CS2, CBT2, CB3T, CB4M	Without positioning sensor feedback With 4-pin Moteck F-type DIN plug

## Performance Data

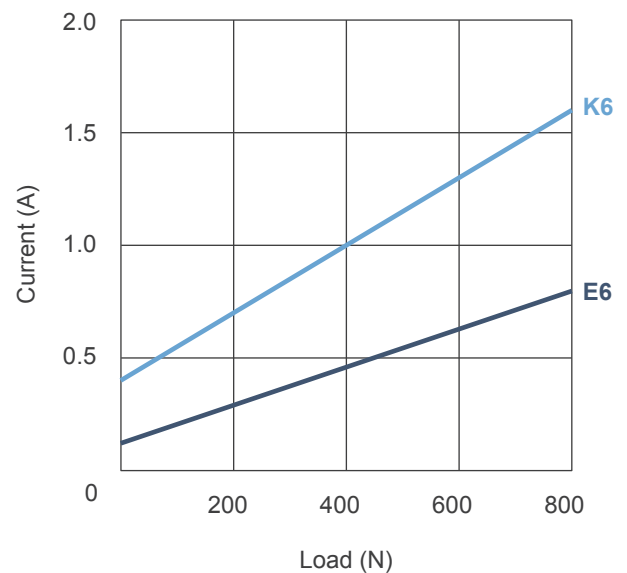
Model No.	Push / Pull Max. (N)	Typical Speed (mm/s)		Typical Current (A)		Noise level (dB)
		No load	Full load	No load	Full load	
LD2-24-30-E6-XXX-CXX-XXXX	800	9.3	6.5	0.13	0.8	≤ 55
LD2-24-30-K6-XXX-CXX-XXXX	800	18.0	14.1	0.4	1.6	≤ 70

Speed vs. Load

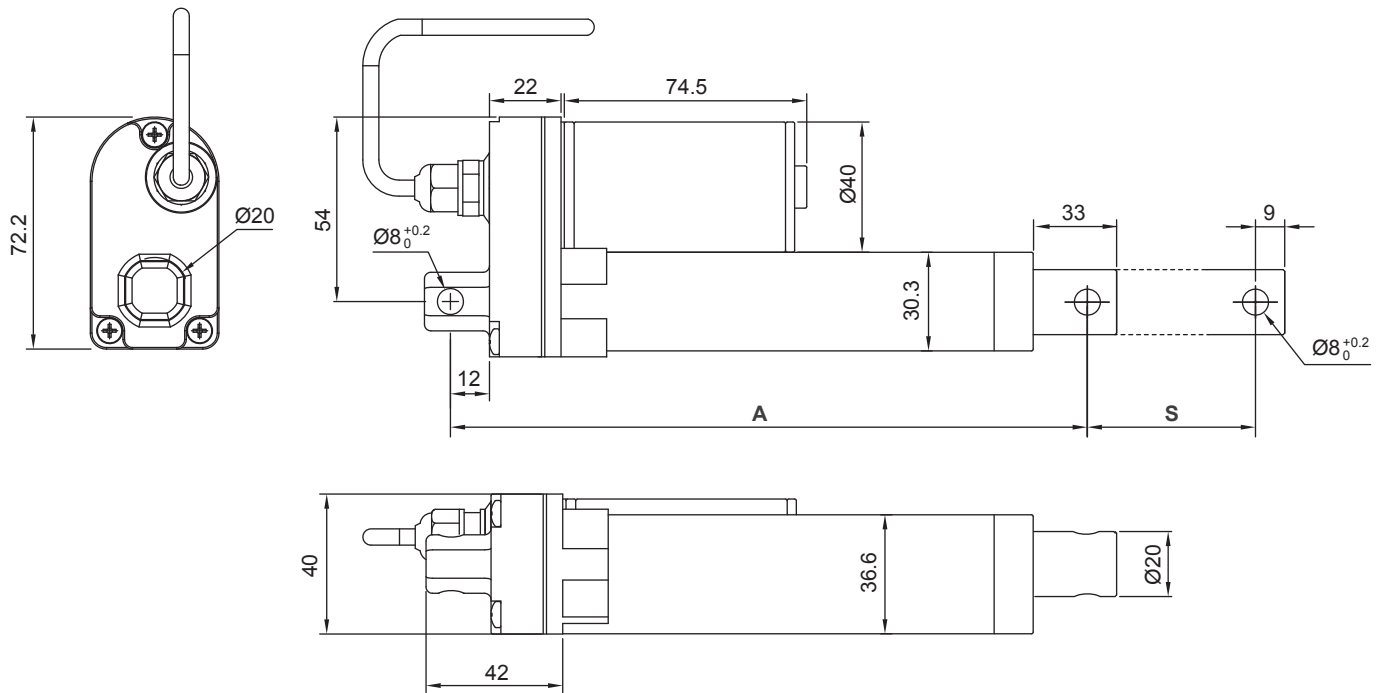


Current vs. Load

24V DC



# Dimensions



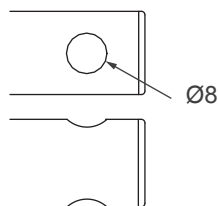
## Installation Dimension

Front connector code	Retracted length (A)	Stroke (S)					
		50	100	150	200	250	300
1	$A \geq S + 109 \text{ mm}$	159	209	260	311	362	413
2	$A \geq S + 118 \text{ mm}$	168	218	268	318	368	418
3	$A \geq S + 138 \text{ mm}$	188	238	288	338	388	438

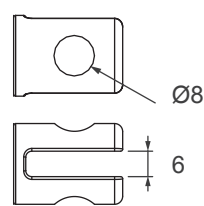
Available stroke (S) range = 50 ~ 300 mm  
 Extended length = S + A

## Front connector

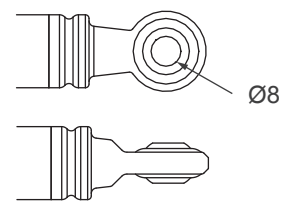
1: Drilled hole



2: Plastic

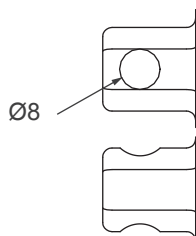


3: Spherical rod eye

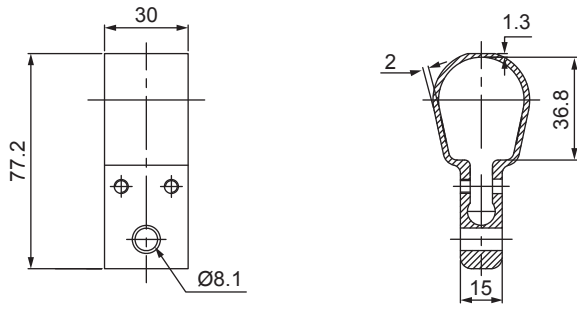


## Rear connector

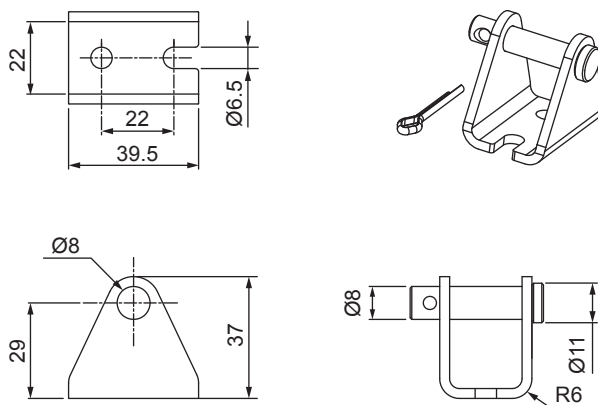
1: Plastic, 2: Metal



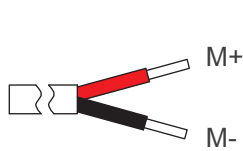
## Clamp



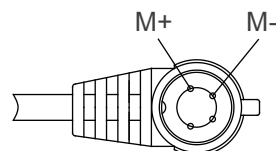
## Mounting bracket



## Wiring & Cable plug



Wiring



4-pin Moteck F-type DIN plug



F-type

### Note:

1. Connect (M+) to "+" & (M-) to "-" of DC power, the actuator will extend.

## Ordering Key

**LD2 - 24 - 30 - E6 - 100 - C 3 2 - 54 C M**

<b>Input voltage</b>	<b>24:</b> 24V DC
<b>Gear ratio</b>	<b>30:</b> 30:1
<b>Motor and Spindle type</b>	<b>E6</b> <b>K6</b> (Refer to Performance Data)
<b>Stroke</b>	<b>050:</b> 50 mm <b>100:</b> 100 mm <b>150:</b> 150 mm <b>200:</b> 200 mm <b>250:</b> 250 mm <b>300:</b> 300 mm
<b>Front connector</b>	<b>1:</b> Drilled hole <b>2:</b> Plastic <b>3:</b> Spherical rod eye (Refer to Dimensions)
<b>Rear connector</b>	<b>1:</b> Plastic <b>2:</b> Metal (Refer to Dimensions)
<b>IP Protection level</b>	<b>43:</b> IP43 <b>54:</b> IP54
<b>Clamp</b>	<b>0:</b> None <b>C:</b> Clamp (Refer to page 4)
<b>Mounting bracket</b>	<b>0:</b> None <b>M:</b> Mounting bracket (Refer to page 4)

### Terms of Use

The user is responsible for application suitability of Moteck products. As ongoing improvement process continues, products listed on the Moteck website are subject to change without prior notice. Moteck reserves the right to terminate the sales or remove any product displayed on the website, or listed in its catalogues.