

# PICOSTAT

Swiss based Trafag is a leading international supplier of high quality sensors and monitoring instruments for measurement of pressure and temperature.



## Applications

- Shipbuilding
- Engine manufacturing
- Railways
- Machine tools



## Features

- Compact design
- Rugged housing
- Improved vibration resistance
- Protection IP65
- Any mounting position possible

04/2017

Data sheet H72362i

### Technical Data

Measuring principle	Bellow	Repeatability	± 0.5 % FS typ. @ 25°C
Measuring range	0 ... 4 to 2 ... 25 bar	Media temperature	-25°C ... +125°C
Output signal	1 Floating change-over contact (SPDT)	Ambient temperature	-25°C ... +85°C
Switching differential	Not adjustable	Approval / conformity	ABS, BV, CCS, GL, DNV, LRS, KRS, NKK, RINA, RMRS EN60730-1/ EN60730-2-6: Typ 2.B.H

Subject to change

## Ordering information/type code

				9B4 .	XX	XX	XXX	XX	XX
<b>Micro-switch</b>	Standard <sup>1)</sup>			33					
<b>Range</b>	<b>Range [bar]</b>	<b>Over pressure [bar]</b>							
	0 ... 4	12		76					
	0 ... 6	12		77					
	1 ... 10	24		78					
	1 ... 16	24		79					
	2 ... 25	40		80					
	4 ... 40 <sup>2)</sup>	50		81					
<b>Sensor</b>	<b>Sensor material</b>	<b>Sensor housing material</b>	<b>Range</b>						
	Bronze (CuSn6)	Aluminium EN AW-6026 AlMgSiPb0.4 anodized	76, 77		750				
	Bronze (CuSn6)	Aluminium EN AW-6026 AlMgSiPb0.4 anodized	78, 79		751				
	Bronze (CuSn6)	Aluminium EN AW-6026 AlMgSiPb0.4 anodized	80, 81		752				
<b>Pressure connection</b>	G1/4" female							04	
<b>Accessories</b>	Flange with O-Ring								11
	Female electrical connector EN175301-803-A (DIN43650-A)								46
	Welsh plug G1/4"								74
	Fixing set								V3
	Switch point adjustment on customers request								
	Please indicate when ordering:								
	- Switchpoint including measurement unit (kPa, bar, MPa, psi, abs. or rel.)								88
- Increasing or decreasing									
Damping elements and snubber see data sheet H72258									

<sup>1)</sup> Switching differential not adjustable

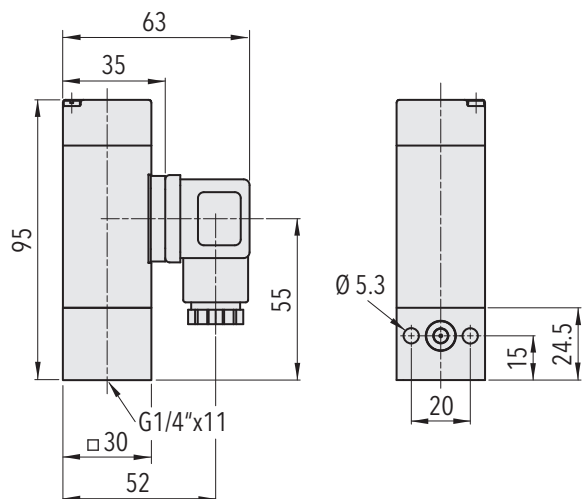
<sup>2)</sup> Without ship approval

Specifications		
<b>Accuracy</b>	Repeatability	± 0.5 % FS typ. @ 25°C
	Switching differential	See table
	Adjustment range switchpoint <sup>2)</sup>	10% ... 90% FS
	Temperature dependence switching point	Appr. 0.1% FS/°C typ.
<b>Environmental conditions</b>	Ambient temperature	-25°C ... +85°C
	Media temperature	-25°C ... +125°C
	Storage temperature	-40°C ... +85°C
	Protection <sup>1)</sup>	IP65
	Humidity	Max. 95 % relative
	Vibration	Switch 33: IEC/EN 60068-2-6 10..59 Hz: ±0.75mm Ampl. 59..500 Hz: 10 g
	Shock	50g/ 3 ms
<b>Mechanical Data</b>	Sensor	See ordering information
	Housing	Aluminium EN AW-6026 AlMgSiPb0.4 anodized
	Sealing	FKM 75 Sh
	Male electrical plug	PA, Polyamide
	Mounting torque	See accessories
	Installation	any position
	Weight	~ 160 g
<b>Microswitch</b>	Rating	See table
	Resistance of insulation	500 VDC > 10 MΩ
	Dielectric strength	IEC/EN 60730-1: >1.45 kVAC/60 s terminal ground >500 VAC/60 s against open contacts
<b>Electrical connection</b>	Electrical connections	EN175301-803-A (DIN43650-A)
	Female electrical connector	Cable-Ø: 4...9 mm Terminal screw: 4 x 0.5...1.5 mm <sup>2</sup>

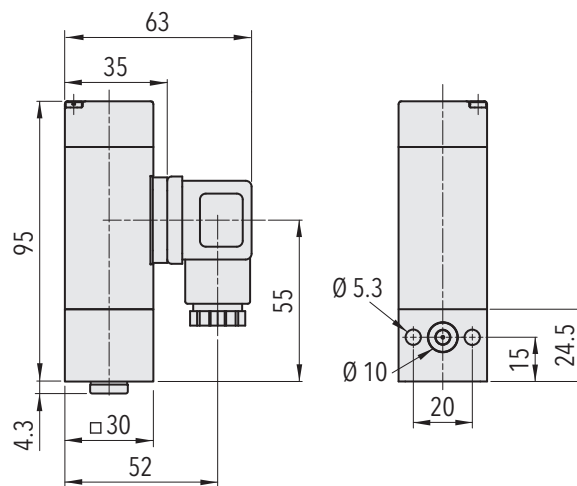
<sup>1)</sup> Provided female connector is mounted according to instructions

<sup>2)</sup> Other adjustment ranges upon request

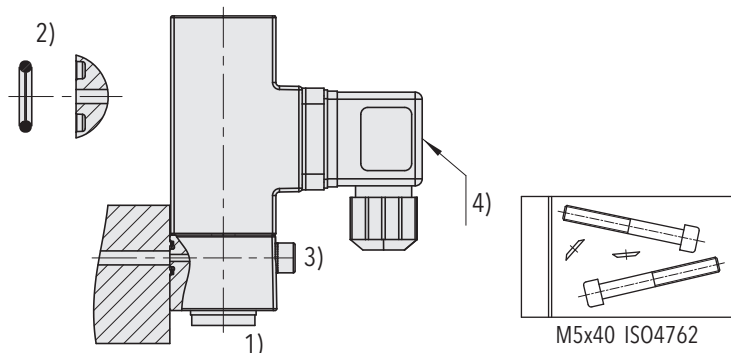
## Dimensions



9B4.XXXX.7XX.04.46.V3

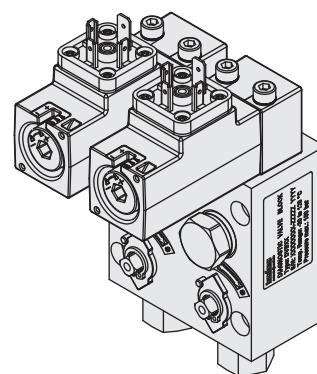


9B4.XXXX.7XX.04.11.46.74.V3



9B4.XXXX.XXX.XX.11

9B4.XXXX.XXX.XX.V3



Diagnostic Valve Bloc (DVB)  
see specification sheet H72361

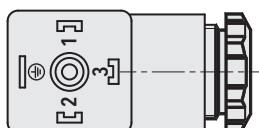
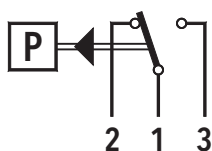
- 1) Torque: G 1/4":  $M_A = 32 \dots 40 \text{ Nm}$
- 2) O-Ring:  $\varnothing 6.75 \times 1.78$   
 $\geq 250 \text{ bar FKM 90 Sh}$   
 $< 250 \text{ bar FKM 70 Sh}$
- 3) Fixing screw: M5; property class: 8.8; torque: 4.5...6 Nm
- 4) Torque connector center screw: max. 0.4 Nm

## Switching differential typ. @ 25°C

Measuring range bellows sensor	[bar]	0 ... 4	0 ... 6	1 ... 10	1 ... 16	2 ... 25	4 ... 40
Microswitch 33: Switching differential not adjustable	[bar]	0.3	0.3	0.6	0.6	1.5	1.8

## Electrical data switch

Type	Features	Rating	
		Resistive Load (Inductive Load)	
		AC	DC
33	Silver contacts	240 V, 6 (2) A	220 V, 0.2 (0.1) A 110 V, 0.4 (0.25) A 48 V, 2 (1) A 24 V, 6 (3) A 12 V, 6 (6) A



EN175301-803-A

## Additional information

Documents	Data sheet	<a href="http://www.trafag.com/H72362">www.trafag.com/H72362</a>
	Instructions	<a href="http://www.trafag.com/H73362">www.trafag.com/H73362</a>
	Flyer	<a href="http://www.trafag.com/H70923">www.trafag.com/H70923</a>