

Actuator ID10P

ID10P is an actuator dedicated to high-load and high-speed applications. The enhanced gearbox and internal structure make ID10P more suitable for vibration and harsh working environments. In addition, ID10P also has IP67, IP69K protection and passing The 500-hour salt spray test with high protection level coating is suitable for agricultural, construction and industrial fields.



Features and Options

Main applications: Industrial, Agriculture, Construction

Standard features:

- Input voltage: 24V DC
- Max. rated load: 12,500N (push or pull)
- Max. static load: 13,600N
- Max. speed at no load: 20 mm/sec (gear motor 20:1 average value)
- Spindle type: Ball Screw
- Gear motor: 20:1 / 30:1
- Stroke: 102 (4") / 203 (8") / 305 (12") mm
- Noise level: ≤ 70 dB
- IP level: IP67 / IP69K
- Overload protection by clutch
- Stroke control by built-in CAM limit
- Extension tube material: Stainless steel
- Color: Black
- Power cord length: 250mm (with bare wires)
- Duty cycle: 10%, max. 1.5 min. continuous operation in 15 min.
- Operating ambient temperature: $-25^{\circ}\text{C} \sim +65^{\circ}\text{C}$
- Compliant with CE, EMC Directive 2014/30/EU

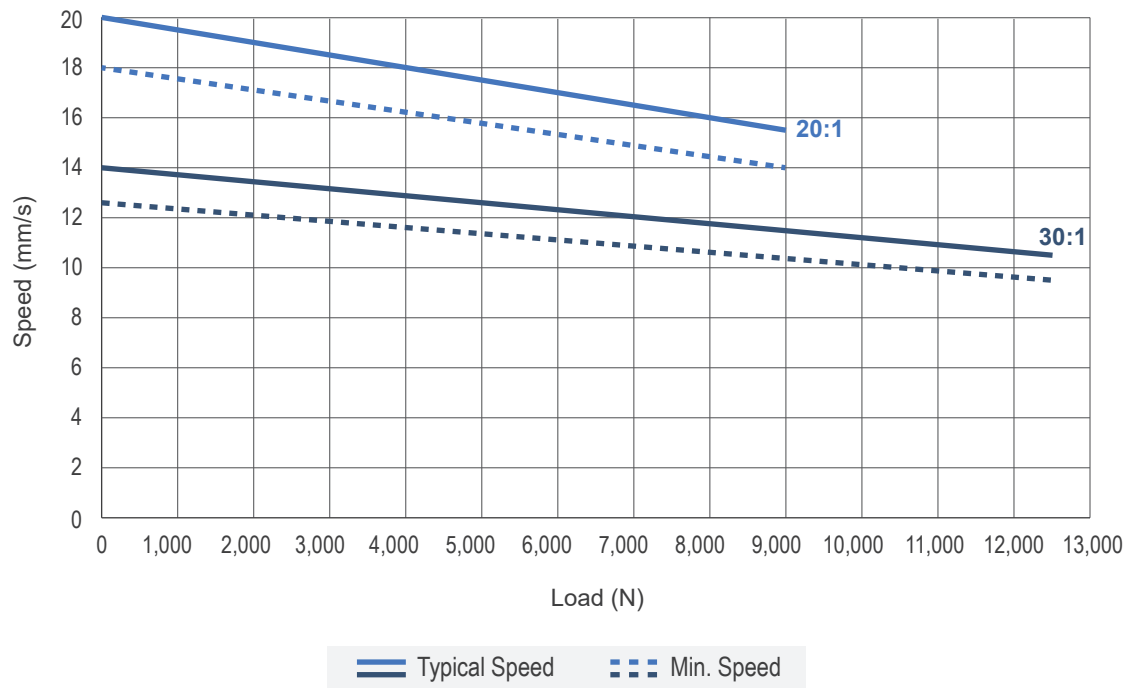
Options:

- Analog and absolute positioning feedback with Potentiometer (POT)

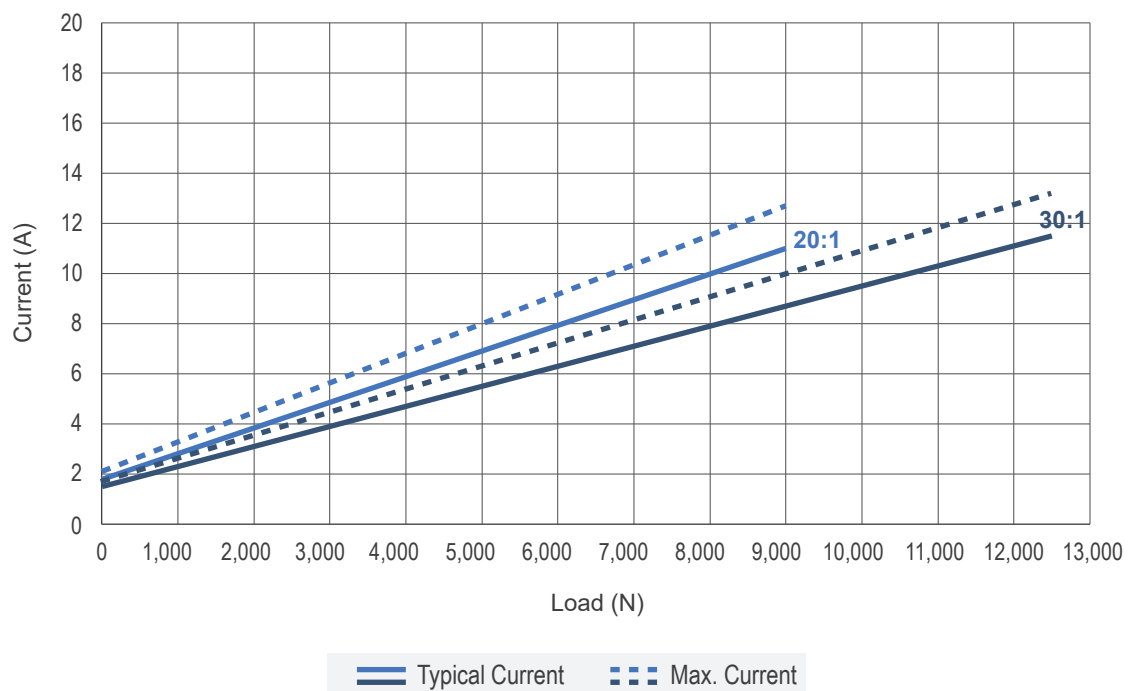
Performance Data

Model No.	Gear Ratio	Max. Load (N)	Typical Speed (mm/s)		Typical Current (A)	
			No Load	Full Load	No Load	Full Load
ID10P-24-20B-XXX	20:1	9,000	20	15.5	1.8	11.0
ID10P-24-30B-XXX	30:1	12,500	14	10.5	1.5	11.5

Speed VS. Load with 24V DC motor



Current VS. Load with 24V DC motor



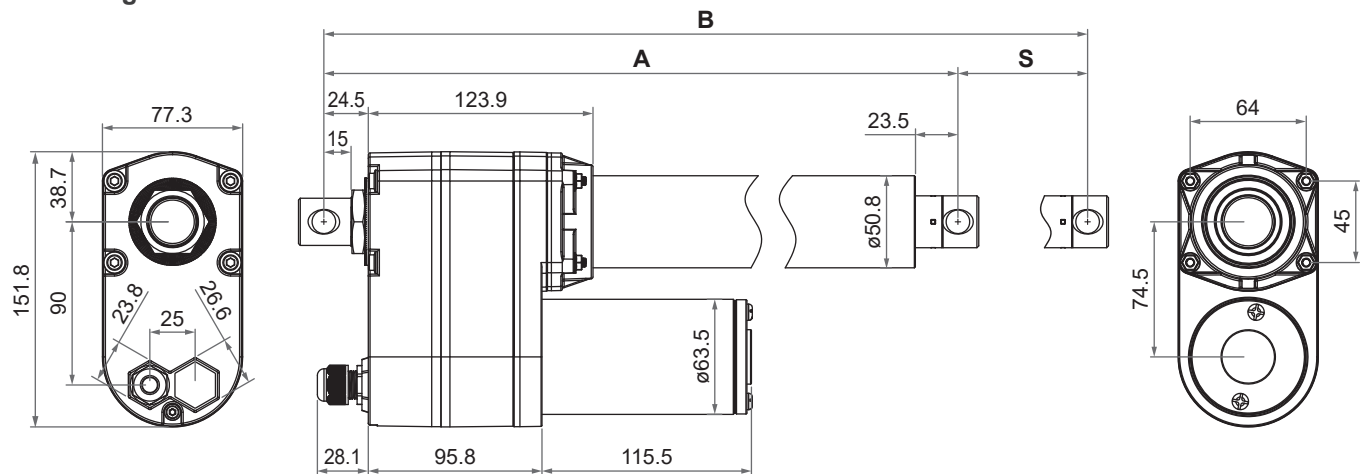
Dimensions

- Extended length (B) = Retracted length (A) + Stroke (S)

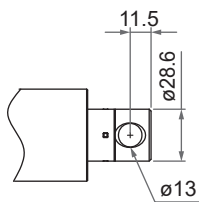
Stroke (S)	102 (4")	203 (8")	305 (12")
Retracted length (A)	398	501	601

(tolerance: ±5mm)

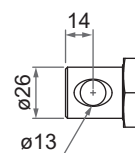
- Drawing



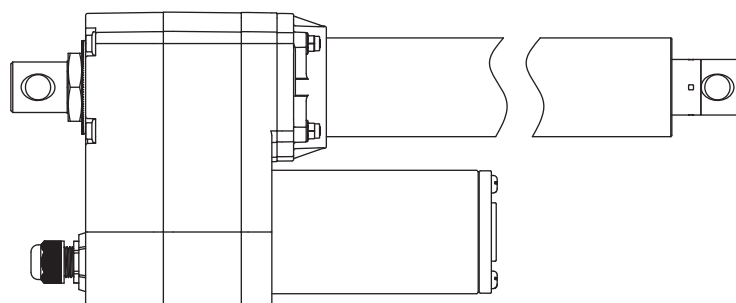
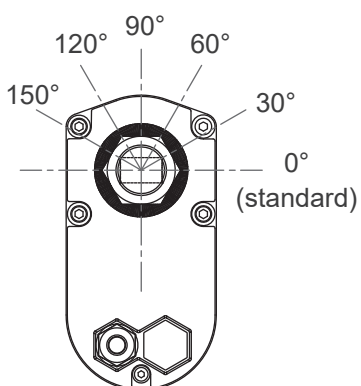
- Front connector



- Rear connector



- Pivot orientation of rear connector



Note: As an example in 0° orientation.

Unit: mm

Compatibility

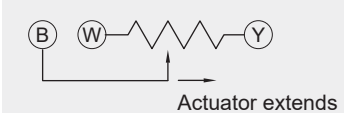
Product	Model	ID10P spec
Control box	CI10	Without positioning feedback
	CI72	Standard
Accessory	MB30 Mounting bracket	Standard, mounting hole \varnothing 13mm.

Wiring

- Basic, without positioning feedback.

	Wire color	Definition	Descriptions
Power wires	Red	DC Power	Connect red wire to "Vdc +" & black wire to "Vdc -" of DC power to extend the actuator. Switch the polarity of DC input to retract it.
	Black		

- With Potentiometer (POT)

	Wire color	Definition	Descriptions					
Power wires	Red	DC Power	Connect red wire to "Vdc +" & black wire to "Vdc -" of DC power to extend the actuator. Switch the polarity of DC input to retract it.					
	Black							
Signal wires	White	GND						
	Yellow	Vin	Input voltage 70V max.					
	Blue	POT output	Potentiometer specification: - Potentiometer 10K ohm, 10 turns. - Total resistance tolerance \pm 5% Output voltage: Between 0 ~ Vin The potentiometer resistance according to different strokes are as follows:					
			<table border="1"> <thead> <tr> <th>Stroke</th> <th>Resistance (tolerance: \pm0.3KΩ)</th> </tr> </thead> <tbody> <tr> <td>102mm (4")</td> <td>0.3 ~ 8.1K</td> </tr> <tr> <td>203mm (8")</td> <td>0.3 ~ 9.2K</td> </tr> <tr> <td>305mm (12")</td> <td>0.3 ~ 8.8K</td> </tr> </tbody> </table> The resistance between blue and white wires increases when the actuator extends, and decreases when it retracts.	Stroke	Resistance (tolerance: \pm 0.3K Ω)	102mm (4")	0.3 ~ 8.1K	203mm (8")
Stroke	Resistance (tolerance: \pm 0.3K Ω)							
102mm (4")	0.3 ~ 8.1K							
203mm (8")	0.3 ~ 9.2K							
305mm (12")	0.3 ~ 8.8K							
								

Ordering Key

	ID10P - 24 - 30 B - 102 - 0 P 0 0 0 0
Input voltage	24: 24V DC
Gear ratio	20: 20:1 (9,000N) 30: 30:1 (12,500N)
Spindle type	B: Ball Screw
Stroke	102: 102mm (4") 203: 203mm (8") 305: 305mm (12")
Reserved	0
Positioning feedback	0: None P: Potentiometer (POT)
Reserved	0
Pivot orientation of rear connector (Refer to Page 3)	0: 0° (standard) 3: 30° 6: 60° 9: 90° C: 120° F: 150°
Reserved	0
Reserved	0

Terms of Use

The user is responsible for the suitability of MOTECK products, and the products listed on the MOTECK website are subject to change without notice. MOTECK reserves the right to terminate sales or delete any products displayed on the website or listed in its catalog.