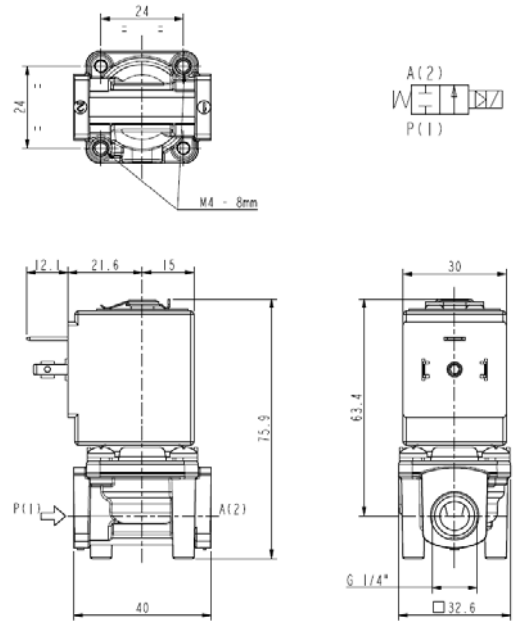




SOLENOID VALVE
2/2 - NC (Normally closed)
Pilot operated – “Zero pressure”
G1/4

L127



► **GENERAL FEATURES**

Diaphragm valve, pilot operated-“zero pressure”, having full orifice. Suitable to shut off liquid and gaseous fluids, particularly suitable for closed circuit hydraulic systems and for vessels draining (verify the compatibility of fluid with materials in contact).

► **TECHNICAL FEATURES**

Maximum allowable pressure (PS) 16 bar
Opening time ~30ms
Closing time ~100ms
Fluid temperature $\begin{cases} -10^{\circ}\text{C} +90^{\circ}\text{C} \text{ (NBR)} \\ 0^{\circ}\text{C} +130^{\circ}\text{C} \text{ (FPM)} \end{cases}$
Max viscosity 5°E (~37 cStokes or mm²/s)

► **MATERIALS IN CONTACT WITH FLUID**

Body Brass
Sealing NBR or FPM
Internal components Stainless steel, brass and POM (acetal copolymer)
Seat Brass
Core tube Stainless steel
Shading coil Copper

► **COIL**

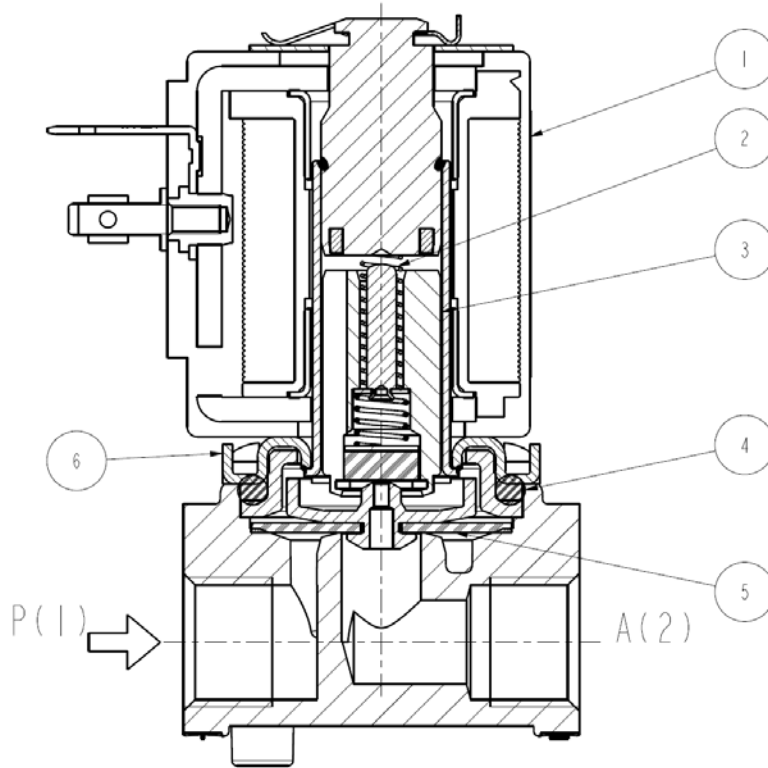
Approval UL (class F) – for UL cl.H: ZA34
ED 100%
Continuous duty PPS (Polyphenilsulfure) fiberglass reinforced
Encapsulation material F (155°C) on request class H (180°C)
Insulation class F (155°C) on request class H (180°C)
Ambient temperature -10°C +50°C
Electric connections DIN 46340 - 3 poles plug connectors (EN175301-803)
Protection degree IP 67 (EN 60529) with plug connector
Voltages *DC* 12-24V (+10% -5%)
AC 24V/50Hz - 110V/50Hz (120V/60Hz) - 230V/50Hz (+10% -15%)
 (Other voltages and frequencies on request)

Port size ISO 228	Orifice size (mm)	Differential pressure (bar)				Kv (m ³ /h)	Series and type		Power absorption			Sealings	Notes	Weight (kg)
		Δp min	Δp max		Valve		Coil	AC (VA)		DC (W)				
			Gas	Liquids				Inrush	Holding					
			AC	DC	AC	DC								
G 1/4	8	0	10	8	10	8	L127B06	ZA10A	23	14	9	NBR	-	0,305
			-	10	-	10						L127V06		
			-	10	-	10	L127B06	ZA10G	-	-	12			
			-	10	-	10						L127V06		

► **NOTES**

- Sealings : NBR = Nitrile-butylene elastomer FPM = Fluoro-carbon elastomer
- IMQ CSV approval, see ZA10 datasheet for further details
- UL approved coil (E153691)

► SPARE PARTS



Kit description	Kit P.N.	Consisting of:
Core kit	G3118302	Core return spring pos. 2 Core pos. 3 O-Ring guide assembly pos.4
Core spring kit	G2718701	N.10 Core return spring pos. 2
Diaphragm assembly kit	L127B06 L127V06 G2723201 G2723202	O-Ring guide assembly pos. 4 Diaphragm assembly pos.5
O-Ring guide assembly kit	GU2424000130	N.10 O-Ring guide assembly pos. 4
Guide assembly kit	G31489	Guide assembly pos. 6 Coil clip
Coil	ZA10A ZA10G	Coil pos. 1

► INSTALLATION

Solenoid valve can be mounted in any position; vertical with coil upwards preferred.