



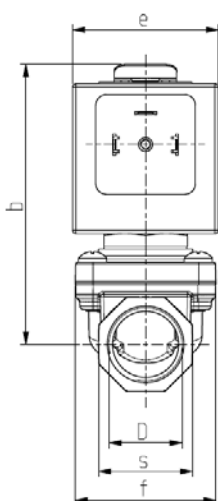
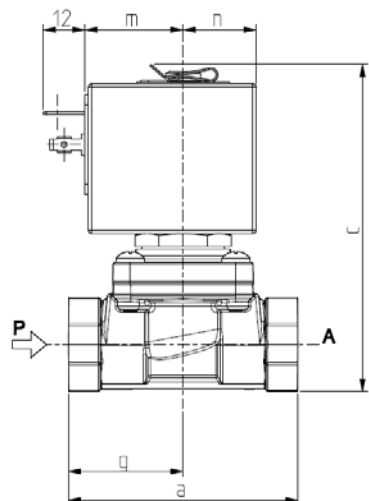
SOLENOID VALVE

2/2 - NC (Normally closed)

Pilot operated hung diaphragm

G 1/2 - 3/4 - 1

L153



	D	a	b	c	e	f	m	n	s	g
D07	G 1/2	66	80,5	94	42	41	28	21	27	-
	G 3/4	79	85,5	102,5	42	51	28	21	33	-
D5	G 1	105	106	127	48,6	71	35	24,3	42	46
D10	G 1/2	66	82	95	42	41	28	21	27	-
	G 3/4	79	87	104	42	51	28	21	33	-

► GENERAL FEATURES

Pilot operated hung diaphragm solenoid valve, with full orifice.
 Suitable to shut off liquid and gaseous fluids; particularly suitable to shut off overheated water and steam (verify the compatibility of fluid with materials in contact).

► TECHNICAL FEATURES

Maximum allowable pressure (PS) 16 bar
 Opening time from ~100ms to ~150ms
 Closing time from ~100ms to ~400ms
 Fluid temperature -10°C +140°C
 Max viscosity 5°E (~37 cStokes or mm²/s)

► MATERIALS IN CONTACT WITH FLUID

Body Brass
 Sealing EPDM
 Diaphragm PTFE
 Internal components Stainless steel
 Seat Stainless steel
 Core tube Stainless steel
 Shading coil Copper

► COIL

Continuous duty ED 100%
 Encapsulation material Z1: PET (Polyethylene terephthalate) fiberglass reinforced
 Z9: PPS (Polyphenylsulfure) fiberglass reinforced
 H (165°C) – UL (Z134A)
 -10°C +80°C
 Electric connections DIN 46340 - 3 poles connectors (EN175301-803)
 Protection degree IP 65 (EN 60529) with plug connector
 Voltages AC 24V/50Hz - 110V/50Hz (120V/60Hz) - 230V/50Hz (+10% -15%)
 (Other voltages and frequencies on request).

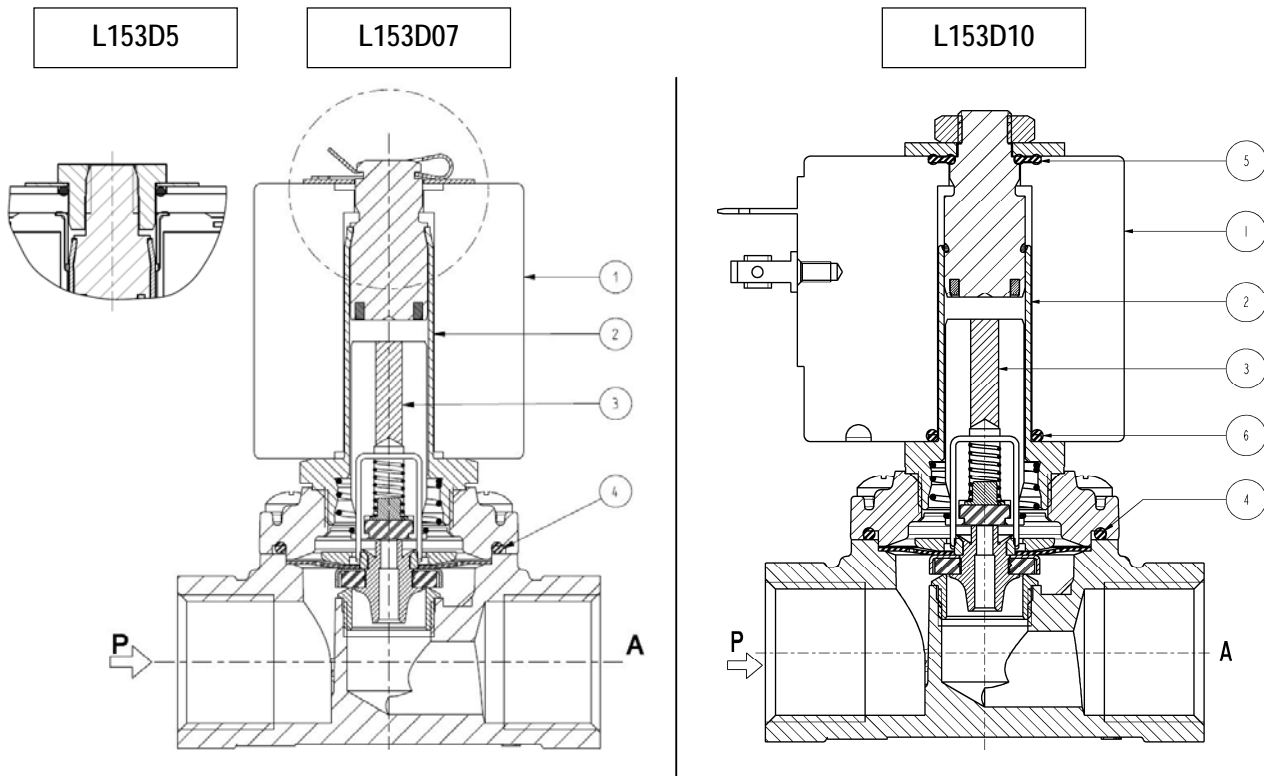
Port size ISO 228	Orifice size (mm)	Differential pressure (bar)						Kv (m ³ /h)	Series and type		Power absorption			Sealings	Function Notes	Weight (kg)
		Δp min	Δp max				Valve		Coil	AC (VA)		DC (W)				
			Gases		Liquids					Inrush	Holding					
			AC	DC	AC	DC										
G1/2	11,5	0	8	-	6	-	2,1	L153D07	Z134A	44	24	-	EPDM	1-2-3	0,660	
G3/4	17						5								0,870	
G1	22						8,5	L153D5	Z923A	50	27			1-2	1,665	
G1/2	11,5						2,1	L153D10	Z134A	44	24			1-2-3-4	0,660	
G3/4	17						5								0,870	

► NOTES

- Sealings : EPDM = Ethylene-propylene elastomer
- 1 - Only for use with steam, consider following values: max pressure 3 bar (max temperature of fluid 140°C).
- 2 - The valves can operate in vacuum conditions at 0 bar absolute downstream.
- 3 - On request Z130A coil encapsulated in PET (Polyethylene terephthalate) in class "F" (+140°C): maximum fluid temperature +100°C, maximum ambient temperature +60°C.
- 4 - Model available on request only: ask for minimum quantity. Coils fitted with sealing gaskets underneath and on the upper part (see sectional view on the back). Particularly suitable to be used in places with high percentage of humidity.

L153

► SPARE PARTS



Kit description

Kit description		Kit P.N.
Diaphragm core kit	L153D07-D10	G1/2 G3/4
	L153D5	G1
Guide assembly	L153D07	G1/2 – G3/4
	L153D510	G1/2-G3/4
	L153D5	G1
Kit gasket for coil	L153D10	G3067302
Kit OR for coil	L153D10	GU2428000015
Coil	L153D07-D10	Z134A
	L153D5	Z923A

Consisting of:

Core and sealing disc kit pos.3 OR guide assembly pos. 4
Guide assembly pos. 2
N. 10 gaskets pos.5
N. 10 OR for coil pos.6
Coil pos. 1

► INSTALLATION

- Solenoid valve can be mounted in any position; vertical with coil upwards preferred.
- In case of disassembly for usual maintenance, the coil fixing nut (L153D5 – L153D10) has to be tightened with 5+6 Nm torque.