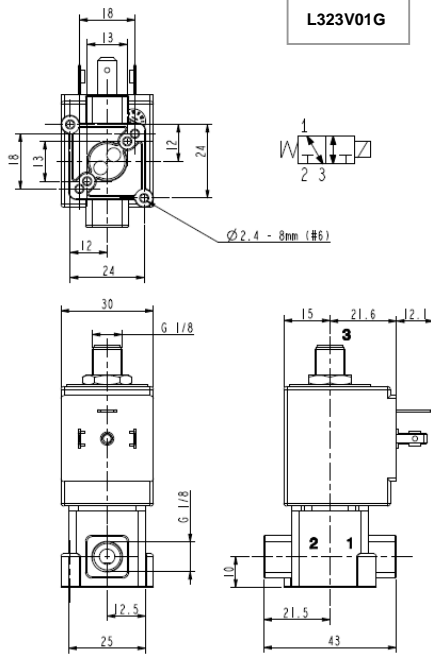


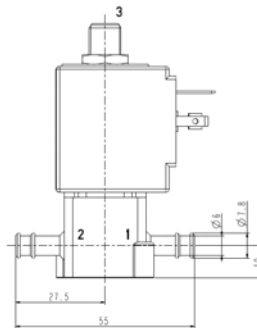


**SOLENOID VALVE**  
**3/2 - U (Universal service)**  
 Direct acting  
**G 1/8 - Barbed Ports**

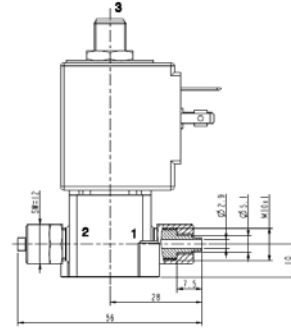
**L323**



**L323V02G**



**L323V03G**



► **GENERAL FEATURES**

Direct acting solenoid valve.  
 Suitable to shut off liquid and gaseous fluids; suitable for low pressure steam and applications in sterilising autoclaves (verify the compatibility of fluid with materials in contact).

► **TECHNICAL FEATURES**

Maximum allowable pressure (PS) 10 bar  
 Opening time ~20ms  
 Closing time ~20ms  
 Fluid temperature 0°C +130°C  
 Max viscosity 5°E (~37 cStokes or mm<sup>2</sup>/s)

► **MATERIALS IN CONTACT WITH FLUID**

Body PPS  
 Sealing FPM  
 Internal components Stainless steel  
 Seat PPS  
 Guide assembly Stainless steel  
 Shading ring Copper

► **COIL**

Approval UL (class F) – for UL cl.H: ZA34  
 Continuous duty ED 100%  
 Encapsulation material PPS (Polyphenilsulfure) fiberglass reinforced  
 Coil insulation class F (155°C) on request class H (180°C)  
 Ambient temperature -10°C +50°C  
 Electric connections DIN 46340 - 3 poles connectors (EN175301-803)  
 Protection degree IP 67 (EN 60529) with plug connector  
 Voltages DC ZA10G: 12-24V (+10% -5%)  
 AC ZA10A: 24V/50Hz - 110V/50Hz (120V/60Hz) - 230V/50Hz (+10% -15%)  
 (Other voltages and frequencies on request)

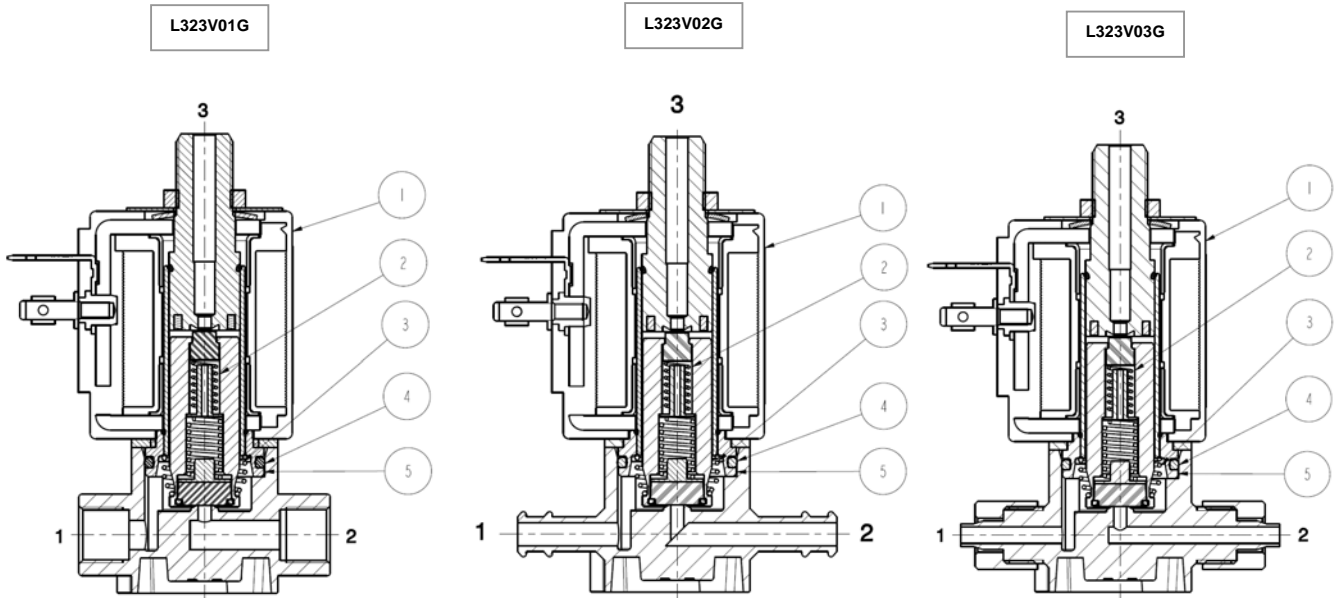
Port size G=ISO 228	Orifice size (mm)	Differential pressure (bar)				Kv (m <sup>3</sup> /h)	Series and type		Power absorption			Sealings	Notes	Weight (kg)
		Δp min	Δp max		Valve		Coil	AC (VA)		DC (W)				
			Gases	Liquids				Inrush	Holding					
			AC	DC	AC	DC								
G 1/8	2,3	0	4	-	4	-	L323V01G	ZA10A	23	14	-	FPM	1-2-3	0,230
			-	4	-	4			ZA10G	-	-			
Barbed ports			4	-	4	-	L323V02G	ZA10A	23	14	-		2-3	
			-	4	-	4			ZA10G	-	-			
Barbed ports with ring nut			4	-	4	-	L323V03G	ZA10A	23	14	-		2-3-4	
			-	4	-	4			ZA10G	-	-			

► **NOTES**

- Sealings : FPM = Fluoro-carbon elastomer
- IMQ CSV approval, see ZA10 datasheet for further details
- UL approved coil (E153691)
- 1 - Maximum driving torque of the pipe fittings for thread connections = 2Nm
- 2 - Only for use with steam, consider following values: PSmax 2,8 bar (max fluid temperature 130°C)
- 3 - The pressure values shown in the table refer to the potential of the valve: they can be lower depending on the connection system used
- 4 - Maximum driving torque of ring nut 1,2Nm

# L323

## ► SPARE PARTS



### Kit description

Core kit  
 Core return spring kit  
 O-Ring guide assembly kit  
 Guide assembly  
 Coil

### Kit P.N.

G3065101  
 G3022401  
 GU2428000017  
 290564-001R  
 ZA10A  
 ZA10G

### Consisting of:

Core pos. 2  
 N.10 core return spring pos. 3  
 N.10 O-Ring guide assembly pos. 4  
 Guide assembly pos. 5  
 Coil pos.1

## ► MOUNTING

- Solenoid valve can be mounted in any position; vertical with coil upwards preferred.
- When using any sealant for fittings, please check its chemical compatibility with body material (PPS).
- In case of disassembling for usual maintenance, the fixing screws of the guide assembly have to be tightened with  $0,6 \pm 0,7$  Nm torque.