

### FEATURES

- The solenoid valves will withstand the severe service encountered in controlling cryogenic fluids, such as liquid oxygen (-183°C), liquid argon (-186°C) and liquid nitrogen (-196°C)
- All valves are degreased, cleaned, tested and packed to keep them free from moisture. In addition liquid oxygen (LOX) valves are "black light" tested to check for any hydrocarbons
- Valves do not require a minimum operating pressure
- Valve are provided with stainless steel seats
- The solenoid valves satisfy all relevant EC directives

### GENERAL

**Differential pressure** See «SPECIFICATIONS» [1 bar =100 kPa]  
**Maximum viscosity** 65 cSt (mm<sup>2</sup>/s)  
**Response time** 5 - 25 ms

fluids (*)	temperature range (TS)	seal materials (*)
cryogenic fluids	- 196°C to + 90°C	PTFE

### MATERIALS IN CONTACT WITH FLUID

(\*) Ensure that the compatibility of the fluids in contact with the materials is verified

**Body** Brass  
**Core tube** Stainless steel  
**Core and plugnut** Stainless steel  
**Springs** Stainless steel  
**Seat** Brass  
**Seals** Lead-clad copper  
**Disc** PTFE  
**Shading coil** Copper

### ELECTRICAL CHARACTERISTICS

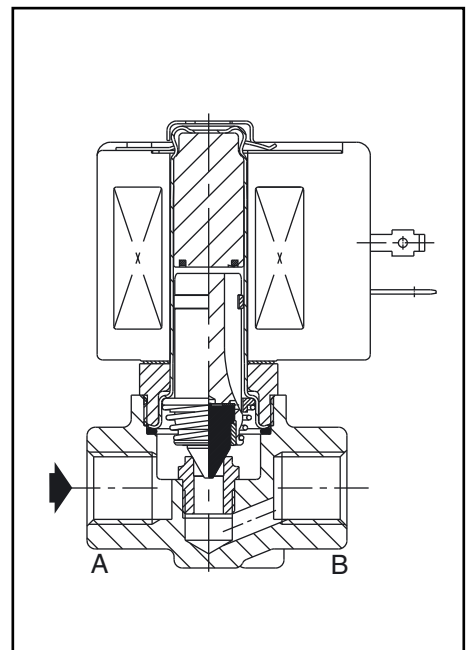
**Coil insulation class** F  
**Connector** Spade plug (cable Ø 6-10 mm)  
**Connector specification** ISO 4400 / EN 175301-803, form A  
**Electrical safety** IEC 335  
**Electrical enclosure protection** Moulded IP65 (EN 60529)  
**Standard voltages** DC (=) : Contact us  
 AC (~) : 24V - 48V - 115V - 230V / 50 Hz

prefix option	power ratings				operator ambient temperature range (TS) (C°)	replacement coil		type <sup>(1)</sup>
	inrush ~	holding ~	hot/cold =	230 V/50 Hz		=		
	(VA)	(VA)	(W)					
SC	55	23	10,5	-	-20 to + 75	400425-117	-	01
	78	35	16,7	-	-20 to + 50	400425-217	-	01

<sup>(1)</sup> Refer to the dimensional drawings on the following page.

### SPECIFICATIONS

pipe size	orifice size (mm)	flow coefficient Kv		min.	operating pressure differential (bar)		power coil (W)		catalogue number	options		
		(m <sup>3</sup> /h)	(l/min)		max. (PS)	cryogenic fluids (*)	~	=		maintained man. operator		
<b>NC - Normally closed</b>												
NPT 1/8	3,2	0,3	5	0	9	10,5	-	SCB263A240LT	MO	-	-	-
Rp 1/4	5,6	0,48	8	0	7	16,7	-	SCE263-205LT	MO	-	-	-
Rp 1/4	7,1	0,6	10	0	3	10,5	-	SCE263-209LT	MO	-	-	-
Rp 3/8	5,6	0,48	8	0	7	16,7	-	SCE263B206LT	MO	-	-	-
Rp 3/8	7,1	0,6	10	0	3	10,5	-	SCE263A210LT	MO	-	-	-



00117GB-2011/R01 Availability, design and specifications are subject to change without notice. All rights reserved.

H

### OPTIONS

- Waterproof enclosure with embedded screw terminal coil according to protection class IP67, CEE-10
- Compliance with "UL", "CSA" and other local approvals available on request
- Other pipe connections are available on request (1/4 - 3/8)
- Plug with visual indication and peak voltage suppression or with cable length of 2 m (see Solenoids, Coils & Accessories section)

### INSTALLATION

- The solenoid valves can be mounted in any position without affecting operation
- Solenoid valves have 2 mounting holes in body
- Threaded pipe connections are: B = NPT (ANSI 1.20.3); E = Rp (ISO 7/1)
- Installation/maintenance instructions are included with each valve

### SPARE PARTS KITS

catalogue number	spare parts kit no.	
	~	=
SCB263A240LT	<b>C304062LT</b>	-
SCE263-205LT/B206LT	<b>C304063LT</b>	-
SCE263-209LT/A210LT	<b>C304064LT</b>	-

- Not available

### ORDERING EXAMPLES:

SC	B	263	A	240	LT	230V / 50 Hz
SC	E	263	-	205	LTMO	115V / 50 Hz
SC	E	263	-	209	LT	48V / 50 Hz
SC	E	263	B	206	LT	230V / 50 Hz

prefix — pipe thread — basic number — voltage — suffix

### ORDERING EXAMPLES KITS:

C304062
C304064

basic number —

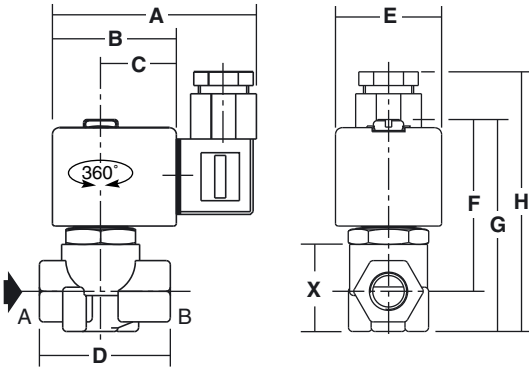
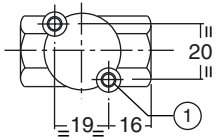
### DIMENSIONS (mm), WEIGHT (kg)



#### TYPE 01

Prefix "SC" Solenoid  
Epoxy moulded  
IEC 335 / ISO 4400  
IP65

**SCB263A240LT**  
**SCE263-205LT/-209LT**  
**SCE263B206LT/A210LT**



① 2 mounting holes Ø M4, depth 6 mm

type	prefix option	A	B	C	D	E	F	G	H	X	weight <sup>(1)</sup>
01	SC	80	50	30	48	45	68	83	100	34	0,50

<sup>(1)</sup> including coil and connector.

All leaflets are available on: [www.asconumatics.eu](http://www.asconumatics.eu)

V903-10-2