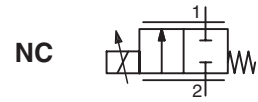




# PROPORTIONAL SOLENOID VALVE

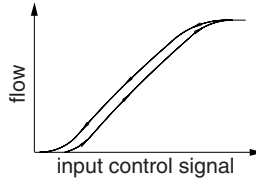
**POSIFLOW**  
direct operated  
1/8



**2/2**  
Series  
**202**

## FEATURES

- Variable flow, proportional to the control signal
- Valves do not require a minimum operating pressure
- Valves can be mounted in any position
- The solenoid valves satisfy all relevant EU directives



## GENERAL

**Differential pressure** See «SPECIFICATIONS» [1 bar =100 kPa]  
**Maximum viscosity** 50 cSt (mm<sup>2</sup>/s)

fluids (*)	temperature range (TS)	seal materials (*)
air, inert gas, water, oil	0°C to +50°C	FPM (fluoroelastomer)

## MATERIALS IN CONTACT WITH FLUID

(\*) Ensure that the compatibility of the fluids in contact with the materials is verified

	Brass body	Stainless steel body
<b>Body</b>	Brass	AISI 303
<b>Core tube</b>	Stainless steel	Stainless steel
<b>Core and plugnut</b>	Stainless steel	Stainless steel
<b>Springs</b>	Stainless steel	Stainless steel
<b>Riderring</b>	PTFE	PTFE
<b>Seat</b>	Brass	Stainless steel
<b>Seals</b>	FPM	FPM
<b>Disc</b>	FPM	FPM
<b>Breaker piece</b>	Stainless steel	Stainless steel

## ELECTRICAL CHARACTERISTICS

**Coil insulation class** F  
**Connector** Spade plug (cable Ø 6-8 mm)  
**Connector specification** DIN 43650, 11 mm, industry standard B  
**Electrical safety** IEC 335  
**Electrical enclosure protection** Moulded IP65 (EN 60529)  
**Standard voltages** DC (=) : 24V (Other voltages on request)

prefix option	operating current (mA)	power ratings			operator ambient temperature range (TS) <sup>(2)</sup> (°C)	replacement coil =	type <sup>(1)</sup>
		inrush ~ (VA)	holding ~ (VA)	hot/cold = (W)			
SC	100 - 450	-	-	8,6 / 6,3	0 to +40	24 V DC	01

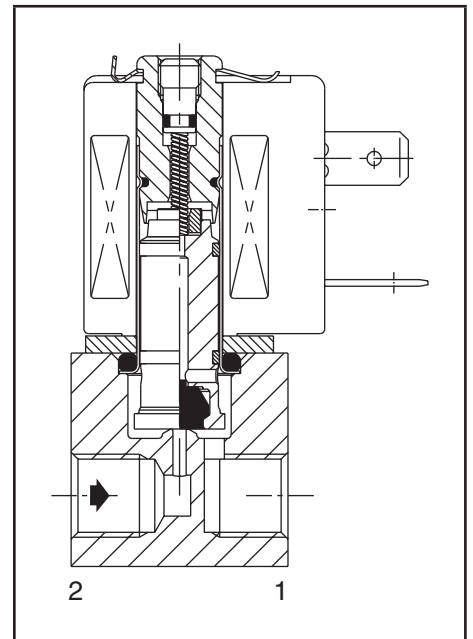
**Voltage regulation** 0 - 24 V DC  
24 V DC pulse width modulated (400 Hz)

**Flow regulation characteristics<sup>(2)</sup>** Hysteresis < 5%; Repeatability < 1% ; Sensitivity < 1%

## SPECIFICATIONS

pipe size	orifice size (mm)	flow coefficient Kv (m <sup>3</sup> /h) (l/min)	operating pressure differential (bar) max. (PS)				power coil (W)	catalogue number		options				
			min.	vacuum	air (*)	water (*)		oil (*)	brass	stainless steel	EPDM	PTFE		
G	(mm)	(m <sup>3</sup> /h) (l/min)		=	=	=	=	=	=					
<b>NC - Normally closed</b>														
1/8	1,2	0,05	0,7	0	1	8	5	5	6,3	SCG202A201V	SCG202A205V	E	T	-
	1,6	0,07	1,1	0	1	6	4	4	6,3	SCG202A202V	SCG202A206V	E	T	-
	2,4	0,13	2,2	0	1	4	3	3	6,3	SCG202A203V	SCG202A207V	E	T	-
	3,2	0,18	2,9	0	1	2,5	2,5	2,5	6,3	SCG202A204V	SCG202A208V	E	T	-

(1) Refer to the dimensional drawings on the following page.  
(2) Percentage of max. value with 24 V DC, P.W.M. 400 Hz, supply at constant differential pressure.



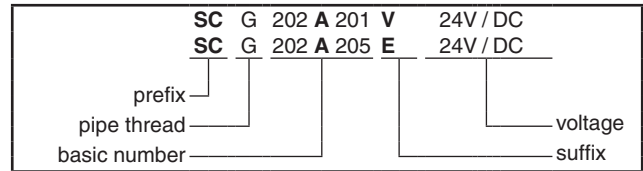
**OPTIONS**

- Valves can also be supplied with NBR (nitrile), EPDM (ethylene propylene) and PTFE seals and discs
- Explosionproof enclosures for use in zones 1/21-2/22, categories 2-3 to ATEX Directive 2014/34/EU, on request
- Electrical enclosures according to "NEMA" standards are available
- Mounting brackets
- Electronic proportional control unit [catalogue number: **E908A003** ([www.asco.com](http://www.asco.com)) / **X90850164500100-0200** ([www.asco.com](http://www.asco.com))]  
Features:
  - analog input control signals: 0 - 10 V DC, 0 - 20 mA or 4 - 20 mA
  - coil current (= flow rate) adjustable to required control signals
  - switch-off function at less than 2% of the maximum control function
  - adjustable ramp control
  - adjustable frequency
  - output current independent of coil resistance and supply voltage variations
  - housed in: a box with spade plug connector according to ISO 4400 / IP65
- Other pipe connections are available on request

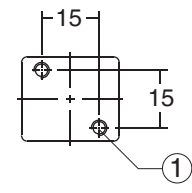
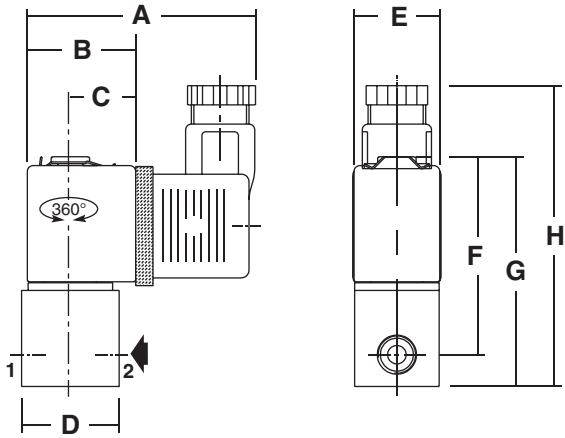
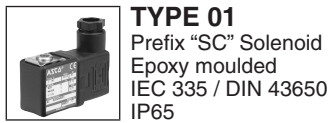
**INSTALLATION**

- The solenoid valves can be mounted in any position without affecting operation
- Solenoid valves have 2 mounting holes in body
- Threaded pipe connection is standard: G = G (ISO 228/1)
- Installation/maintenance instructions are included with each valve

**ORDERING EXAMPLES:**



**DIMENSIONS (mm), WEIGHT (kg)**



type	prefix option	A	B	C	D	E	F	G	H	X	weight <sup>(1)</sup>
01	SC	59	28	17	25	22	52	60	78	-	0,2

<sup>(1)</sup> including coil and connector.

All leaflets are available on: [www.asco.com](http://www.asco.com)