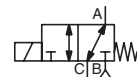




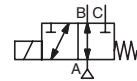
SOLENOID VALVES

direct operated, coaxial
for high pressure fluids
3/8 to 1

NC



NO



3/2
Series
387

FEATURES

- Coaxial-type solenoid operated valve designed for high flow rates with low pressure loss
- Compatible with viscous or abrasive gases and liquids
- Suitable for high pressure applications
- Solenoid operated valve designed for long service life
- Vacuum operation up to 10^{-4} mbar
- The valves satisfy article 4.3 of Pressure Equipment Directive 2014/68/EU

GENERAL

Differential pressure	40 bar (B → A : 12 bar) [1 bar = 100 kPa]
Maximum viscosity	500 cSt (mm ² /s)
Response time (air operation $\Delta P = 4$ bar)	3/8 1/2 3/4 1
opening time (ms)	45 60 105 150
closing time (ms)	70 130 150 190

fluids (*)	temperature range (TS)	seal materials (*)
air and gas groups 1 & 2 water, oil, liquids groups 1 & 2	-20°C to +100°C	FPM (fluoroelastomer) PTFE

MATERIALS IN CONTACT WITH FLUID

(*) Ensure that the compatibility of the fluids in contact with the materials is verified

Body	Brass
Internal parts	Brass
Tube	Stainless steel
Seals	FPM /PTFE
Disc seal	FPM

ELECTRICAL CHARACTERISTICS

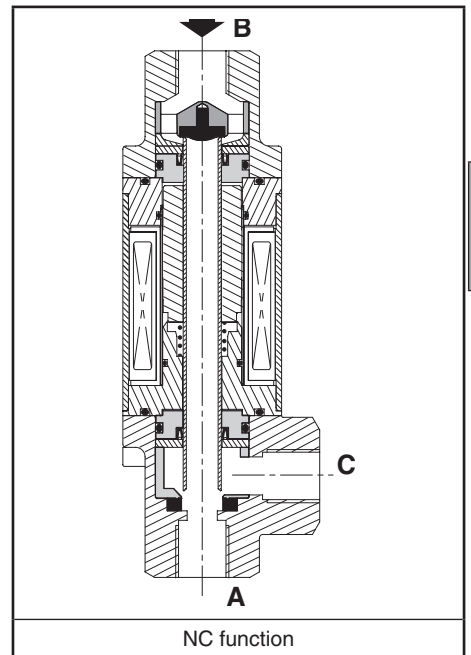
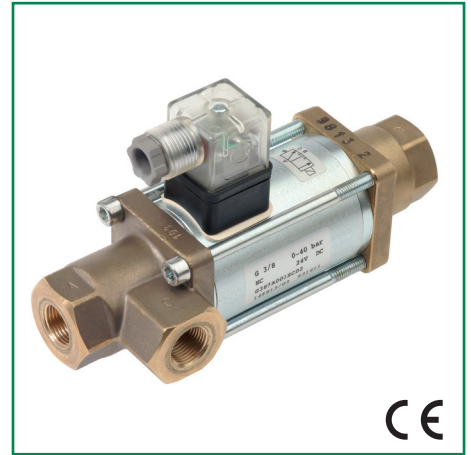
Coil insulation class	H
Connector (rectifier for AC)	Spade plug (cable \varnothing 6-8 mm) with indicator LED
Connector specification	ISO 4400 / EN 175301-803, form A
Electrical safety	IEC 335
Electrical enclosure protection	IP65 (EN 60529)
Standard voltages	DC (=) : 24V AC (~) : 115V - 230V / 50 Hz

prefix option	pipe size	power ratings (integrated coil DC (=), cold)			operator ambient temperature range (TS) (C°)	replacement coil		type ⁽¹⁾
		115 V ~ (W)	230 V ~ (W)	24 V ~/= (W)		~ 230 V/50 Hz	= 24 V DC	
SC	3/8	40	42	35	-20 to +60	-	-	01
	1/2	45	55	51				
	3/4	62	60	53				
	1	68	69	60				

⁽¹⁾ Refer to the dimensional drawings on the following page.

SPECIFICATIONS

pipe size	DN	flow coefficient Kv				operating pressure differential (bar)				power coil (W)		catalogue number	
						max. (PS)							
		air/gas/water/oil (*)				min.	B → A	B → A	A ↔ C	A → B			
G		A → B (m ³ /h)	A → B (l/min)	A → C (m ³ /h)	A → C (l/min)		~	=	~/=	~/=	~	=	~/=
NC - Normally closed													
3/8	10	2,2	36,6	1,6	26,6	0	12	12	40	40	42	35	SCG387A001
1/2	15	5,2	86,6	3,6	60	0	12	12	40	40	55	51	SCG387A002
3/4	20	7,5	125	5,6	93,3	0	12	12	40	40	60	53	SCG387A003
1	25	12,2	203,3	10,2	170	0	12	12	40	40	69	60	SCG387A004
NO - Normally open													
3/8	10	2,2	36,6	1,6	26,6	0	12	12	40	40	42	35	SCG387A005
1/2	15	5,2	86,6	3,6	60	0	12	12	40	40	55	51	SCG387A006
3/4	20	7,5	125	5,6	93,3	0	12	12	40	40	60	53	SCG387A007
1	25	12,2	203,3	10,2	170	0	12	12	40	40	69	60	SCG387A008



E

OPTIONS

- Connector rectifier: 115 V AC, catalogue number: **88122635**; 230 V AC, catalogue number: **88122634**

INSTALLATION

- The solenoid valves can be mounted in any position without affecting operation
- Solenoid valves have 2 mounting holes in body
- Pipe connection identifier is G = G (ISO 228/1)
- Installation/maintenance instructions are included with each valve

SPARE PARTS KIT & ACCESSORIES

catalogue number	spare parts kit no.	mounting bracket no.
SCG387A001/005	C140209	C140130
SCG387A002/006	C140211	C140131
SCG387A003/007	C140213	C140132
SCG387A004/008	C140215	C140133

ORDERING EXAMPLES:

SC	G	387	A	001	230V / 50 Hz
SC	G	387	A	005	115V / 50 Hz
SC	G	387	A	008	24V / DC

prefix: SC
 pipe thread: G
 basic number: 387
 voltage: 230V / 50 Hz, 115V / 50 Hz, 24V / DC
 suffix: A 001, A 005, A 008

ORDERING EXAMPLES KITS:

C140209	C140213
---------	---------

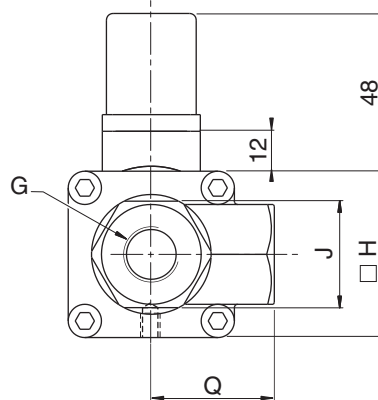
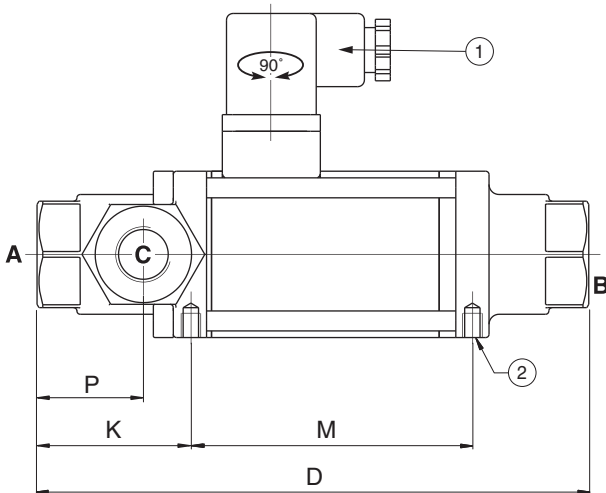
basic number

DIMENSIONS (mm), WEIGHT (kg)



TYPE 01

Prefix "SC" Solenoid
IEC 335 / ISO 4400
IP65



Pressure inlet:

- NC function = Port B
- NO function = Port C

- ① Connector rectifier for AC (~)
- ② 2 mounting holes Ø M5, depth 7 mm

type	prefix option	G	D	H	J	K	M	P	Q	X	Y	Z	weight ⁽¹⁾
01	SC	3/8	166	50	32	46	85	32	37	24	111	6	2,0
		1/2	200	70	41	58	103	38,5	60	38	136	6	4,1
		3/4	229	80	46	71	111	45,5	72	45	151	7	6,0
		1	249	90	55	73	121	48	80	50	165	7	8,1

⁽¹⁾ Including connector (without mounting brackets).

